

Manual Thin Wall Tube Bender

For bending thin wall tube up to 90° in one operation.
Suitable for vice or bench mounting, also optional stand available

Model TBRD - Round

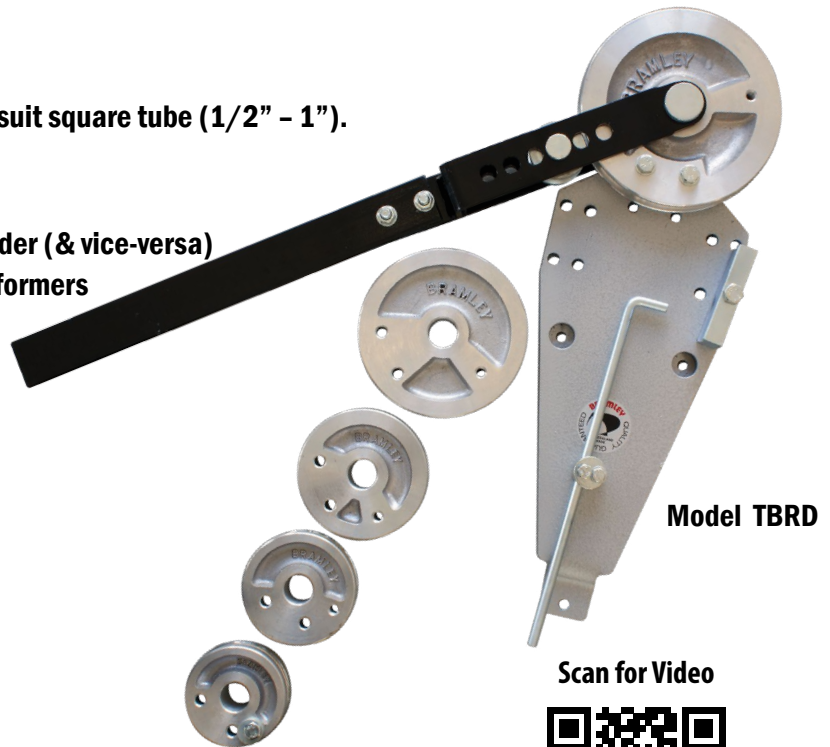
Supplied with a set of 5 formers & follow roller to suit round tube (1/2" - 1" dia).

- The 1.1/8" round former is an optional extra

Model TBSQ - Square

Supplied with a set of 5 formers & follow roller to suit square tube (1/2" - 1").

- Now with lightweight aluminium alloy formers
- Square formers can fit onto the round tube bender (& vice-versa)
- Optional stand - incorporates storage pegs for formers



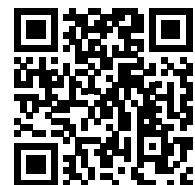
Model TBRD

ROUND FORMERS			
Part No.	TUBE SIZE		RADIUS OF BEND
TBFR1/2	1/2" 12.7mm		50mm
TBFR5/8	5/8" 16.0mm		55mm
TBFR3/4	3/4" 19.0mm		65mm
TBFR7/8	7/8" 22.2mm		85mm
TBFR1	1" 25.4mm		100mm
TBFR1-1/8	1.1/8" 28.6mm		115mm

SQUARE FORMERS			
Part No.	TUBE SIZE		RADIUS OF BEND
TBFS1/2	1/2" 12.7mm		65mm
TBFS5/8	5/8" 16.0mm		85mm
TBFS3/4	3/4" 19.0mm		100mm
TBFS7/8	7/8" 22.2mm		115mm
TBFS1	1" 25.4mm		115mm



Scan for Video



Model TBRD shown in use mounted on optional stand (Part No. TBSTAND) which incorporates storage pegs for formers.