

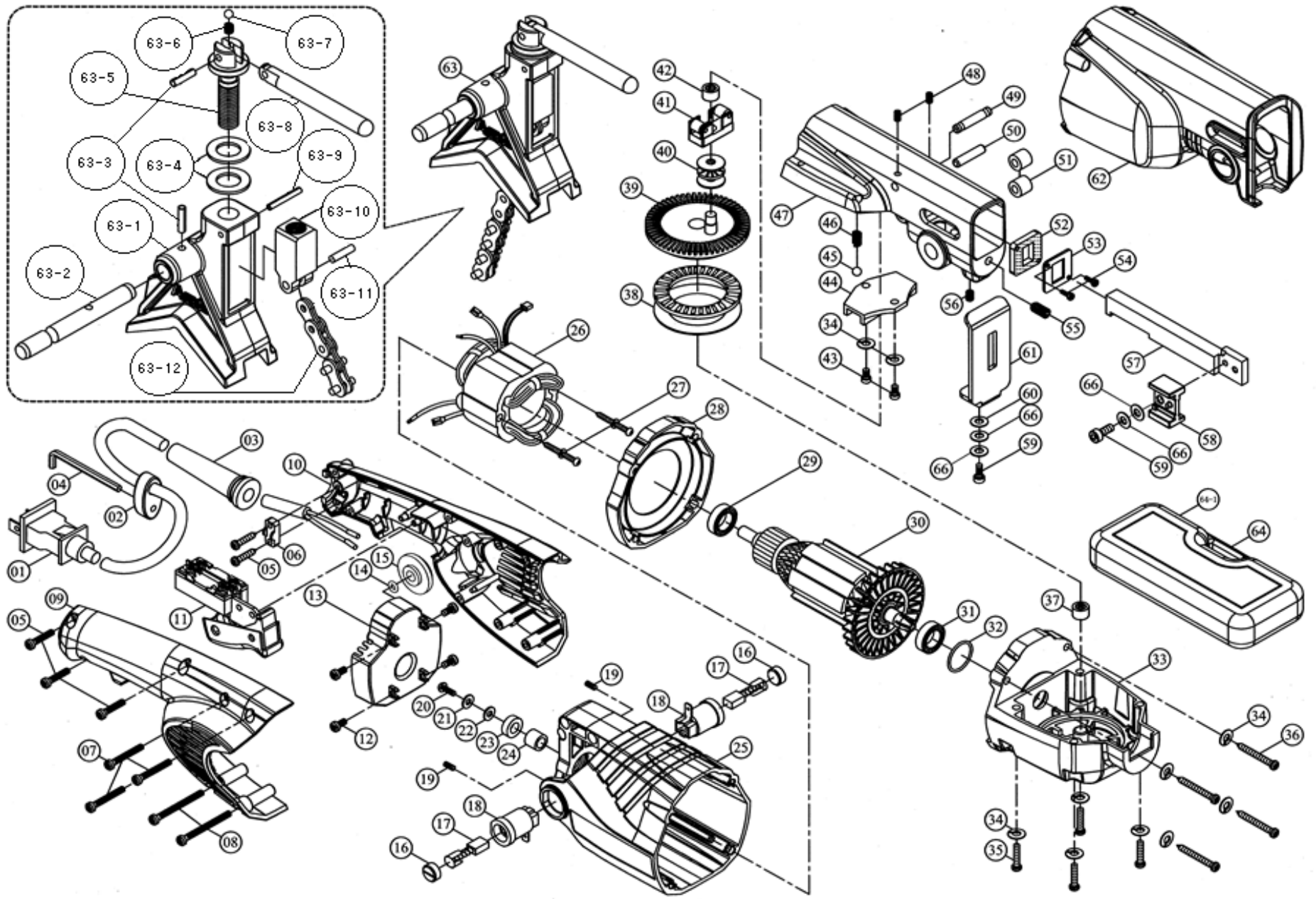
PIPE SAW 200SP

PARTS LIST

● Edited in March, 2015



PIPE SAW 200SP



2014.10.02

Asada
ASADA CORPORATION

3-60, Kamiida, Nishi-Machi, Kita-Ku, Nagoya, Japan 462-8551
TEL +81-52-914-1062 FAX +81-52-914-1065
URL <http://www.asada.co.jp> E-mail: trade@asada.co.jp