

INSTRUCTION MANUAL



www.tuv.com

ELECTRIC HOIST

TPMEH500

ELECTRIC HOIST

EN



WARNING! Before using this electric tool, read the general safety rules listed below carefully. Failure to do so could result in injury or equipment damage.

Congratulations on your excellent choice. Your new electric tool is manufactured in compliance with the best reliability and quality standards, ensuring you efficiency and safety for a long period of time.

1 GENERAL SAFETY RULES

Electrical safety

Wall outlets must meet safety standards. In Case of any doubt, Wall outlets should be checked by a qualified electrician to ensure they are suitable.

The plug must be securely grounded and your electrical system must be supplied with a magnetic cut-out safety switch.

Do not pull on the electric cable to disconnect the plug.

The machine should only be operated by specially trained persons with a thorough knowledge of the safety rules and regulations.

When the machine is idling, make sure it is out of the reach of children.

The machine should be protected from frost and low temperatures.

If the machine is unable to hoist a load, do not continue pressing the hoisting button: this means that the load exceeds the machine's maximum capacity.

Do not overload! Do not use 2 or more electric hoists to lift one item.

Do not lift heavy items aslant; do not use the electric hoist to drag items along the ground.

Do not lift stationary items.

Do not attempt to dismantle the machine while it is running or while it is connected to the power supply.

The machine should not be operated during rain or storm.

For indoor use only! **DO NOT USE OUTDOORS.**

Never hoist persons.

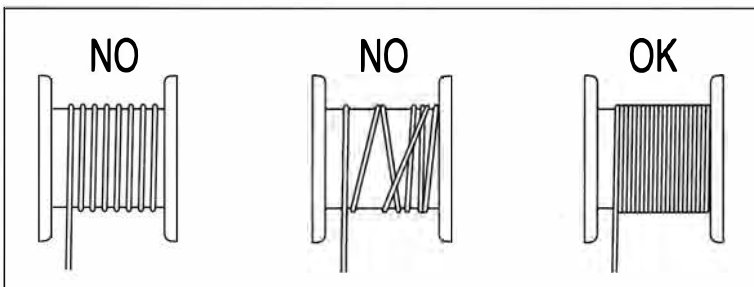
Do not stand under hoisted loads.

Before beginning to operate the machine, ensure that the steel cable is correctly wound on the spool and the pitch is equal to the cable diameter.

Leave at least 3 complete windings of cable on the hoist, to avoid damage to the cable fixation.

- Avoid winding over 15m of cable on the hoist

Press button before loading, eliminate any slack in the steel rope, then lift the load.



Please respect the maximum load indicated on the sticker. Disregard the capacity indicated on the hook.

Do not leave heavy items suspended for too long in order to avoid permanent strain on parts and to prevent accidents.

When the steel cable has become worn, replace it only with a cable of the same specifications manufactured by us. Our cables can be found at all authorized service outlets.

Before operating the machine, check that switches are in good operating condition.

Attention: the motor has no cut-off function. Do not use it for overloads. If the machine is unable to lift an item, do not attempt to force it. Switch the motor off to allow it to cool, reduce the load, and lift again.

- Position-Limit Safety Device:

The position-limit safety device is designed to prevent capacity limits being exceeded when lifting or lowering a load.

Do not use it as a travel switch and never dismantle.

The hoist brake system

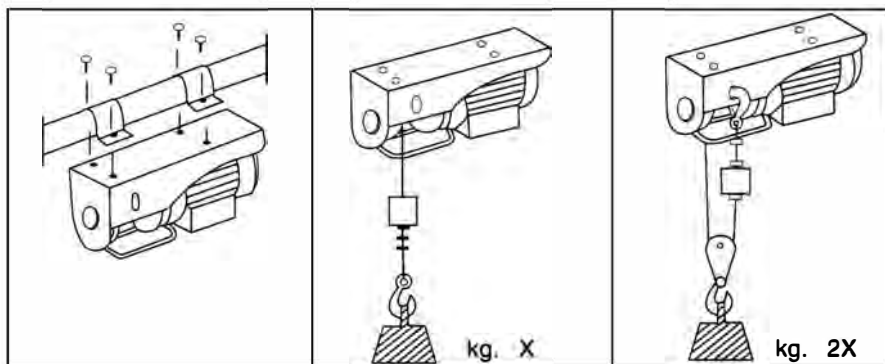
The hoist brake system is factory-adjusted to work within the rated load conditions. After long use, the rubber in the brake system will become worn and the brake will no longer work as it should. If you feel that your hoist can no longer lift the load for which it is intended, please contact your dealer to replace the friction plate.

The electric hoist features up and down limit-position safety devices. When a load is hoisted to the limit-position level, the machine will stop lifting. Conversely, if the downward movement is too fast, the safety switch will be triggered and the machine will stop working. The down safety switch is installed on the side of machine. There must be at least 2 turns of wire rope on the spool when the down safety switch triggers. Otherwise, it is out of adjustment and you should have it reset at your local dealer.

Please ensure that you check all easily-wearing parts as mentioned above every 6 months to ensure the safety of the operator and the machine.

2 INSTALLATION

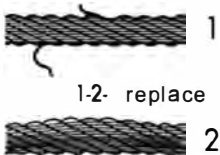
The hoist "standard version" is fitted with a specially-designed bracket system that enables it to be bolted to a round, square or rectangular shaped support.



First ensure that outlet specifications (volt-hertz) correspond to those indicated on the machine plate, and then insert the plug. If a cable extension is required, it is of utmost importance to comply with the specifications given in the tables.

EXTENSION LENGTH	CABLE SECTION
Up to 20 m	1.5 mm
From 20 to 50 m	2.5 mm

3 MAINTENANCE

 <p>1-2- replace</p>	<ul style="list-style-type: none"> - Periodically CHECK that the steel cable is in good condition. - CHECK that the screws securing the brackets and reduction gear are firmly tightened. - CHECK THE CONDITION AND TIGHTNESS OF THE NUTS securing the steel cable clamps.
---	---

Periodically CHECK that the motor cut-off switch and push button switch are in good working condition.

Please check extent of wear and tear on the hoist and perform regular maintenance. Check normally once a year.

Ensure that all moving parts are adequately greased or oiled: e.g. the hook, drum shaft, gearbox and shaft etc.

Do not grease the cable!!

Note: Abrasion of the hook :Check abrasion of the hook at each maintenance; if the wear/abrasion exceeds 10% of the original size, replace the hook with a new one.

4. TECHNICAL DATA

Model:	PA-500	
	Standard version	Version with double load cap.
Load capacity	250kg	500kg
Lifting height	12m	6m
Lifting speed	10m/min	5m/min
Cable length	12.5m	
Cable diameter	4mm	
Cable break resistance	1200kg	
Service	S3-20%10min	
Main voltage	230V~50Hz	
Motor performance	P1=900w	

These descriptions and illustrations are non binding. The company reserves the right to modify them without notice.

5 WARRANTY

This product is warranted in accordance with legal regulations for a 24-month period effective from the date of purchase by the first user.

This warranty covers all material or production defects. It does not extend to: defects from normal wearing parts such as bearings, brushes, cables, plugs or accessories like drills, drill bits, saw blades etc.; damage or defects resulting from misuse, accidents or alterations; transportation costs.

We reserve the right to reject any claim where the purchase cannot be verified or when it is clear that the product was not properly maintained. (Clean ventilation slots, service carbon brushes regularly).

Your purchase receipt must be kept as proof of date of purchase.

Your un-dismantled tool must be returned to your dealer in an acceptably clean state, in its original blow-moulded case if relevant to unit, accompanied by your proof of purchase.

6 ENVIRONMENT



Should your machine need replacement after extended use, do not put it in the domestic waste but dispose of it in an environmentally safe way.

Waste electrical products should not be disposed of with household waste. Please recycle where facilities exist. Check with your Local Authority or retailer for recycling advice.

7 Circuit Map

