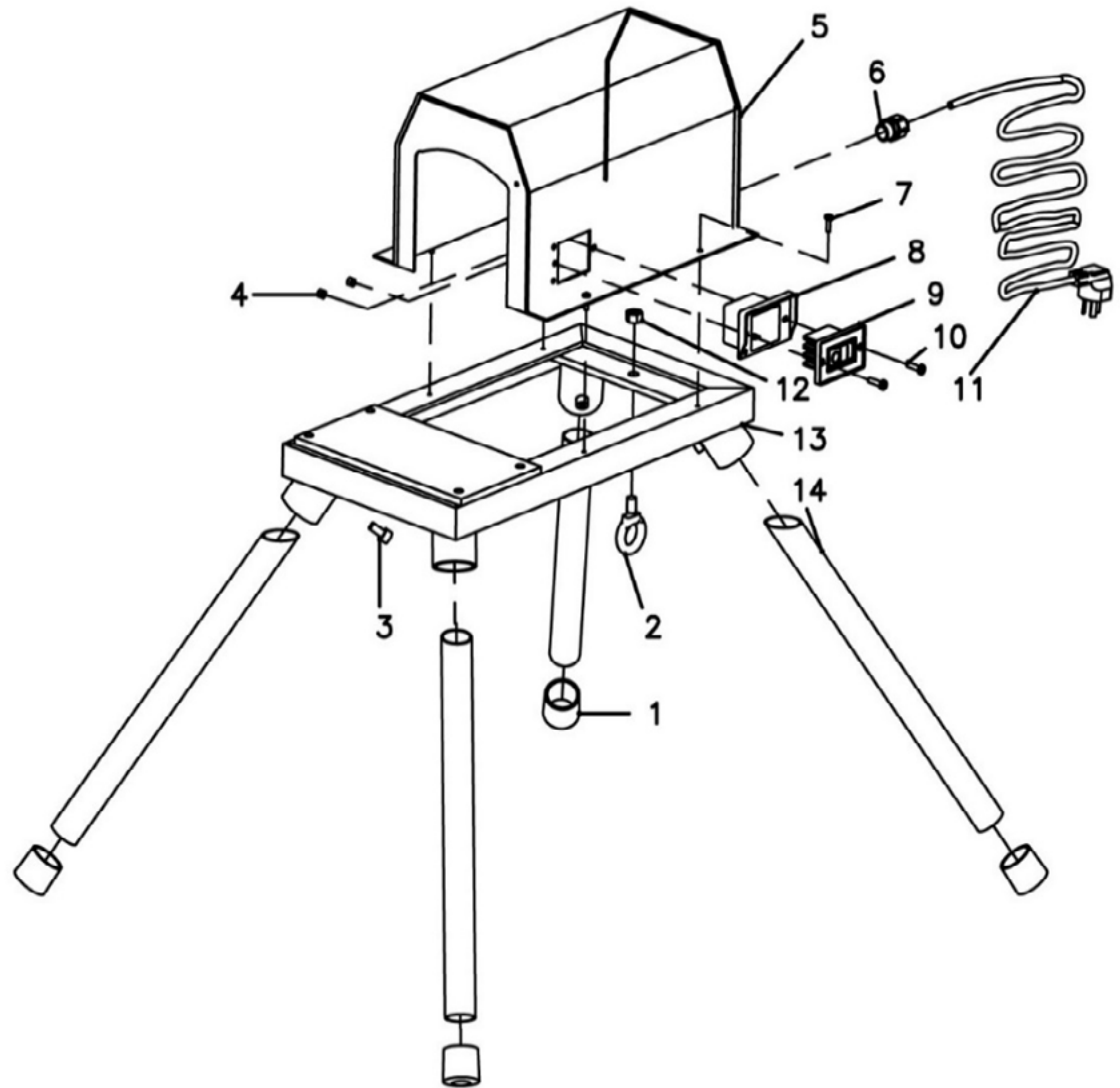
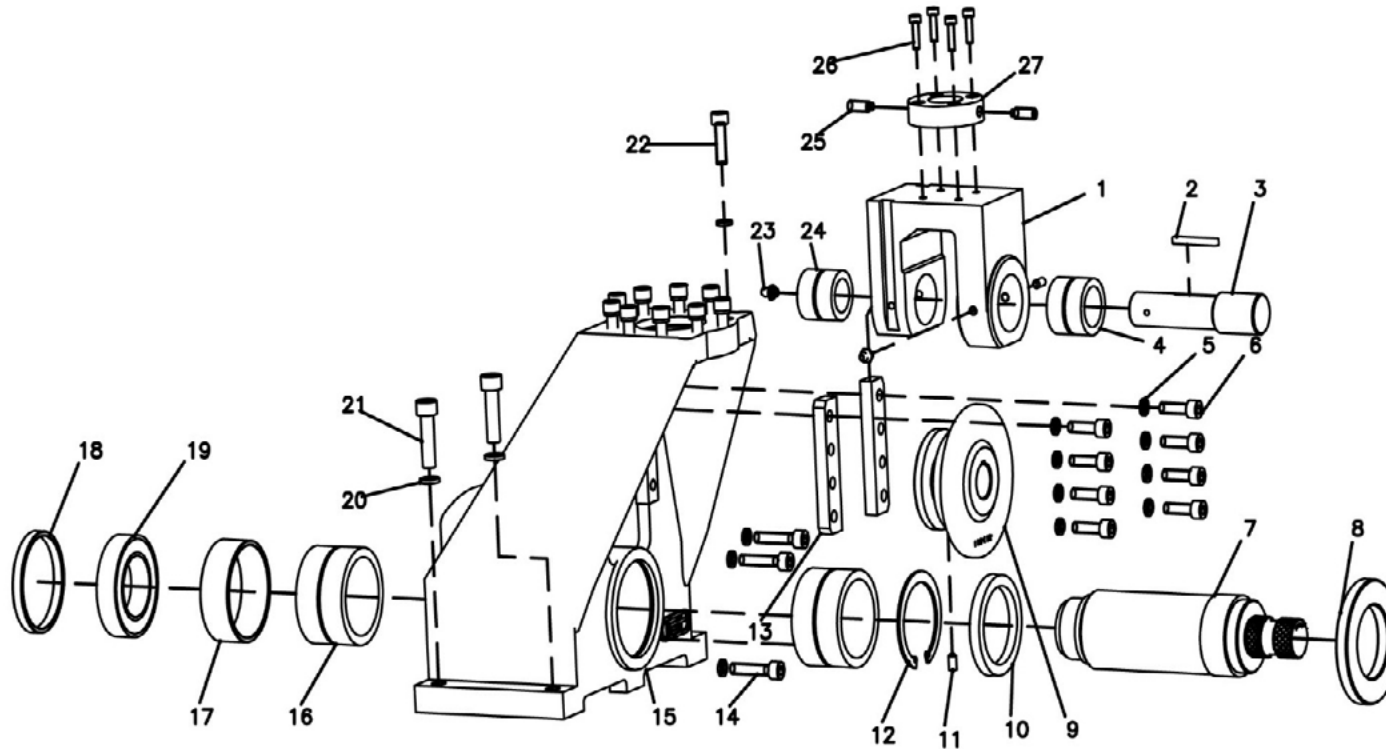


RG6C Spare Parts List

| NO | 66701 | |
|-----|----------|------------------|
| S/N | Ref. No. | Description |
| 1 | 38813 | Grommet (4) |
| 2 | 01706 | Screw M10 |
| 3 | 01452 | Screw M8*16 (4) |
| 4 | 01802 | Nut M5 (2) |
| 5 | 66717 | Cover |
| 6 | 39850 | Grommet M16 |
| 7 | 01513 | Screw M4*15 (4) |
| 8 | 66715 | Switch box |
| 9 | 39782 | Switch |
| 10 | 01525 | Screw M5*20 (2) |
| 11 | 39759 | Power line |
| 12 | 01805 | Nut M10 |
| 13 | 66713 | Base |
| 14 | 66721 | Support legs (4) |



RG6C Spare Parts List

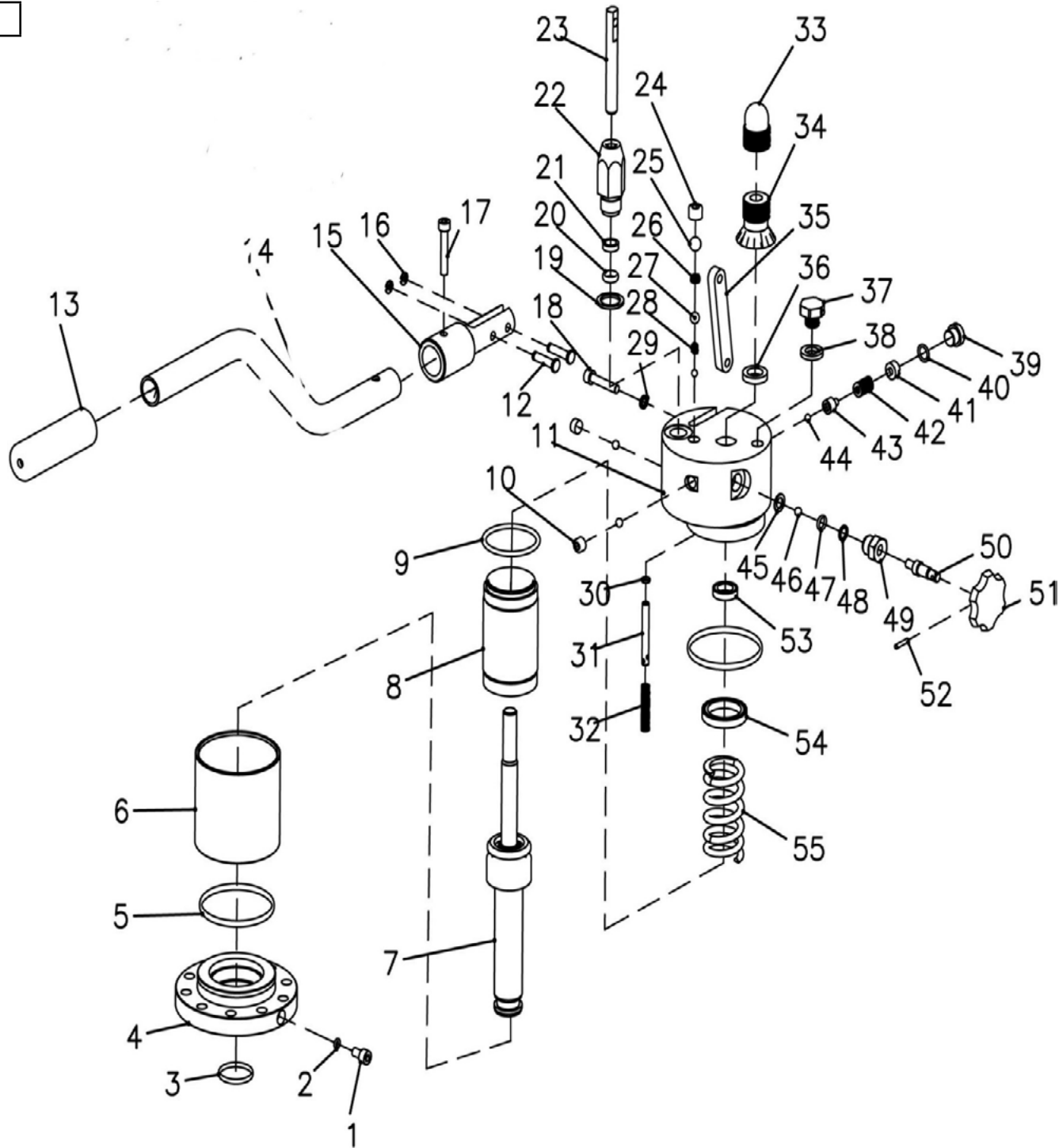


| NO | 65100 | |
|-----|---------------|---------------------------|
| S/N | Ref. No. | Description |
| 1 | 65129 | Upper roll housing |
| 2 | GB/T1096-2003 | Key5*5*40 |
| 3 | 65127 | Roller shaft |
| 4 | G03905 | Bearing RNA6905 |
| 5 | 02108 | Spacer 8 (22) |
| 6 | 01455 | Screw M8*25 (8) |
| 7 | 65121 | Drive shaft (2"-6") |
| | 65119 | Drive shaft (11/4"-11/2") |
| 8 | 65117 | Guide ring |
| 9 | 65125 | Roller(2"-6") |
| | 65123 | Roller (1 1/4"- 1 1/2") |
| 10 | 04718 | Spacer Vd60A |
| 11 | 01666 | Screw M6*10 (2) |
| 12 | 02441 | Ring 72 |
| 13 | 65133 | Slide rail (2) |
| 14 | 01457 | Screw M8*35 |

| S/N | Ref. No. | Description |
|-----|----------|-------------------------|
| 15 | 65115 | Casting body |
| 16 | 03910 | Bearing RNA6910 (2) |
| 17 | 65113 | Spacer B |
| 18 | 03620 | Bearing 6009-2Z |
| 19 | 65111 | Spacer A |
| 20 | 02109 | Spacer 10 (4) |
| 21 | 01487 | Screw M10*40 (4) |
| 22 | 01456 | ScrewM8*30 (10) |
| 23 | 05005 | Grease fitting M6*1 (2) |
| 24 | 03904 | Bearing RNA6904 |
| 25 | 01683 | Screw M8*20 (2) |
| 26 | 01408 | Screw M5*20 (4) |
| 27 | 65131 | Joining collar |

RG6C Spare Parts List

| | |
|----|-------|
| NO | 66200 |
|----|-------|



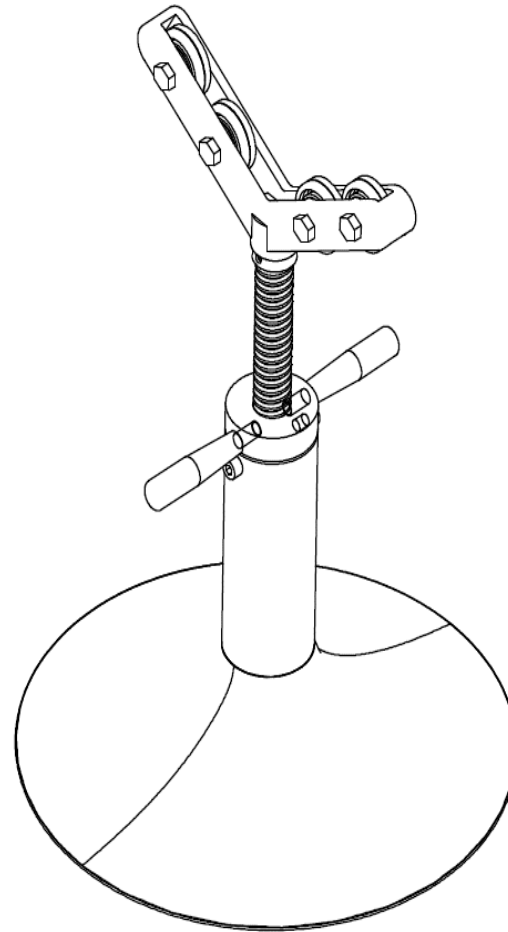
RG6C Spare Parts List

| NO | 66200 | Pump Assembly |
|-----|----------|----------------------------------|
| S/N | Ref. No. | Description |
| 1 | 01421 | Screw M6*10 |
| 2 | 04505 | O ring 5.6*1.8 |
| 3 | 04608 | O ring ORBP25 (24.7*3.5) |
| 4 | 66233 | Pump Base |
| 5 | 04533 | O ring 63*3.55 (2) |
| 6 | 66227 | Outside cylinder body |
| 7 | 66291 | Plungerrod assembly |
| 8 | 66229 | Inner cylinder body |
| 9 | 04526 | O ring |
| 10 | 20941 | Plugs A (2) |
| 11 | 20925 | Pump body |
| 12 | 66219 | Pin (2) |
| 13 | 89125 | hand grip |
| 14 | 66221 | Handle |
| 15 | 66217 | Connecting rod |
| 16 | 02605 | Retaining ring d4 (2) |
| 17 | 01428 | Screw M6*35 |
| 18 | 66223 | Pin |
| 19 | 66243 | Washer A |
| 20 | 04607 | O ring ORAP10A (9.8*2.4) |
| 21 | 04610 | Retaining ring P10A (10*14*1.25) |
| 22 | 66245 | Plunger valve |
| 23 | 66249 | Plunger rod |
| 24 | 04910 | Steel ball 10 |
| 25 | 66247 | Screw plugs |
| 26 | 66239 | Spring C |
| 27 | 04909 | Steel ball 8 |
| 28 | 66237 | Spring B |
| 29 | 02107 | Washer 6 |
| 30 | 04504 | O ring 5.15*1.8 |
| | | |

| S/N | Ref. No. | Description |
|-----|----------|------------------------------|
| 31 | 66235 | Siphon |
| 32 | 05047 | Steel wire cloth |
| 33 | 66213 | Nut |
| 34 | 66211 | Set nut |
| 35 | 66215 | link |
| 36 | 04611 | Oil Seals LBH(14*22*4.5*6) |
| 37 | 05046 | air plug |
| 38 | 04725 | Bonded washer 12 |
| 39 | 66255 | Pressure adjust screw |
| 40 | 04513 | O ring 11.2*1.8 |
| 41 | 66257 | Pressure adjust screw |
| 42 | 66259 | Square pressure adjust screw |
| 43 | 66261 | Steel ball Base |
| 44 | 04907 | Steel ball 5 (2) |
| 45 | 66263 | Purple steel Washer B |
| 46 | 04908 | Steel ball 6(3) |
| 47 | 04605 | O ring ORBP8-7.8*1.9 |
| 48 | 04609 | Ring P8 (8*11*1.25) |
| 49 | 66265 | Return oil rod base |
| 50 | 66251 | Return oil rod |
| 51 | 66253 | Star shape handle |
| 52 | 03005 | Spring pin 3*16 |
| 53 | 04612 | Oil Seals USI (14*22*5) |
| 54 | 04613 | Oil Seals USI (40*30*6) |
| 55 | 66231 | Spring A |

RG6C Spare Parts List

| PO | 66500 | Pipe Assembly Stand |
|------------|-----------------|----------------------------|
| S/N | Ref. No. | Description |
| 1 | 66500 | Pipe Stand Assembly |
| | | |
| | | |



RG6C Spare Parts List

| PO | (307)-75300 | |
|-----|-------------|--------------------|
| S/N | Ref. No. | Description |
| 1 | 75930 | motor |
| 2 | 75323 | Gear housing |
| 3 | 03306 | key5×5×10 |
| 4 | 03601 | Bearing |
| 5 | 03605 | Bearing |
| 6 | 75325 | 1st gear shaft |
| 7 | 03316 | key 6×6×12 |
| 8 | 75319 | Hi-speed gear |
| 9 | 02513 | Retaining ring |
| 10 | 03604 | Bearing |
| 11 | 01408 | Screw M5*20 |
| 12 | 75311 | Motor front cover |
| 13 | 03608 | Bearing |
| S/N | Ref. No. | Description |
| 14 | 01406 | Screw M5*16 |
| 15 | 02106 | Spacer |
| 16 | 04719 | Seal |
| 17 | 05035 | Bearing |
| 18 | 75317 | L-speed gear |
| 19 | 75315 | Output shaft |
| 20 | 03022 | key 8×7×16 |
| 21 | 03615 | Bearing |
| 22 | 02907 | Pin φ4*15 |
| 23 | 02518 | Retaining ring |
| 24 | 75321 | M-speed gear shaft |
| 25 | 75327 | 2nd gear shaft |
| 26 | 04705 | Seal |
| | 75300 | motor and gear box |
| | | |

