

## Manual Thin Wall Tube Bender

For bending thin wall tube up to 90° in one operation.  
Suitable for vice or bench mounting, also optional stand available

### Model TBRD - Round

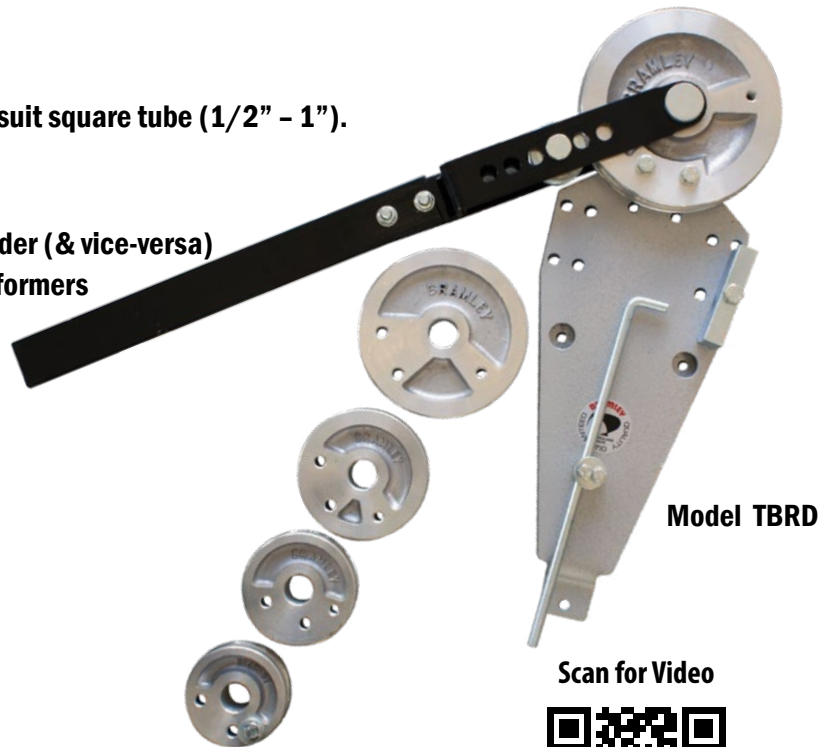
Supplied with a set of 5 formers & follow roller to suit round tube (1/2" - 1" dia).

- The 1.1/8" round former is an optional extra

### Model TBSQ - Square

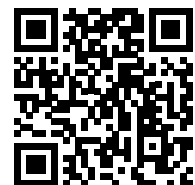
Supplied with a set of 5 formers & follow roller to suit square tube (1/2" - 1").

- Now with lightweight aluminium alloy formers
- Square formers can fit onto the round tube bender (& vice-versa)
- Optional stand - incorporates storage pegs for formers



Model TBRD

Scan for Video



ROUND FORMERS			
Part No.	TUBE SIZE		RADIUS OF BEND
TBFR1/2	1/2"	12.7mm	50mm
TBFR5/8	5/8"	15.8mm	55mm
TBFR3/4	3/4"	19.0mm	65mm
TBFR7/8	7/8"	22.2mm	85mm
TBFR1	1"	25.4mm	100mm
TBFR1-1/8	1.1/8"	28.6mm	115mm

SQUARE FORMERS			
Part No.	TUBE SIZE		RADIUS OF BEND
TBFS1/2	1/2"	12.7mm	65mm
TBFS5/8	5/8"	15.8mm	85mm
TBFS3/4	3/4"	19.0mm	100mm
TBFS7/8	7/8"	22.2mm	115mm
TBFS1	1"	25.4mm	115mm



Model TBRD shown in use mounted on optional stand (Part No. TBSTAND) which incorporates storage pegs for formers.