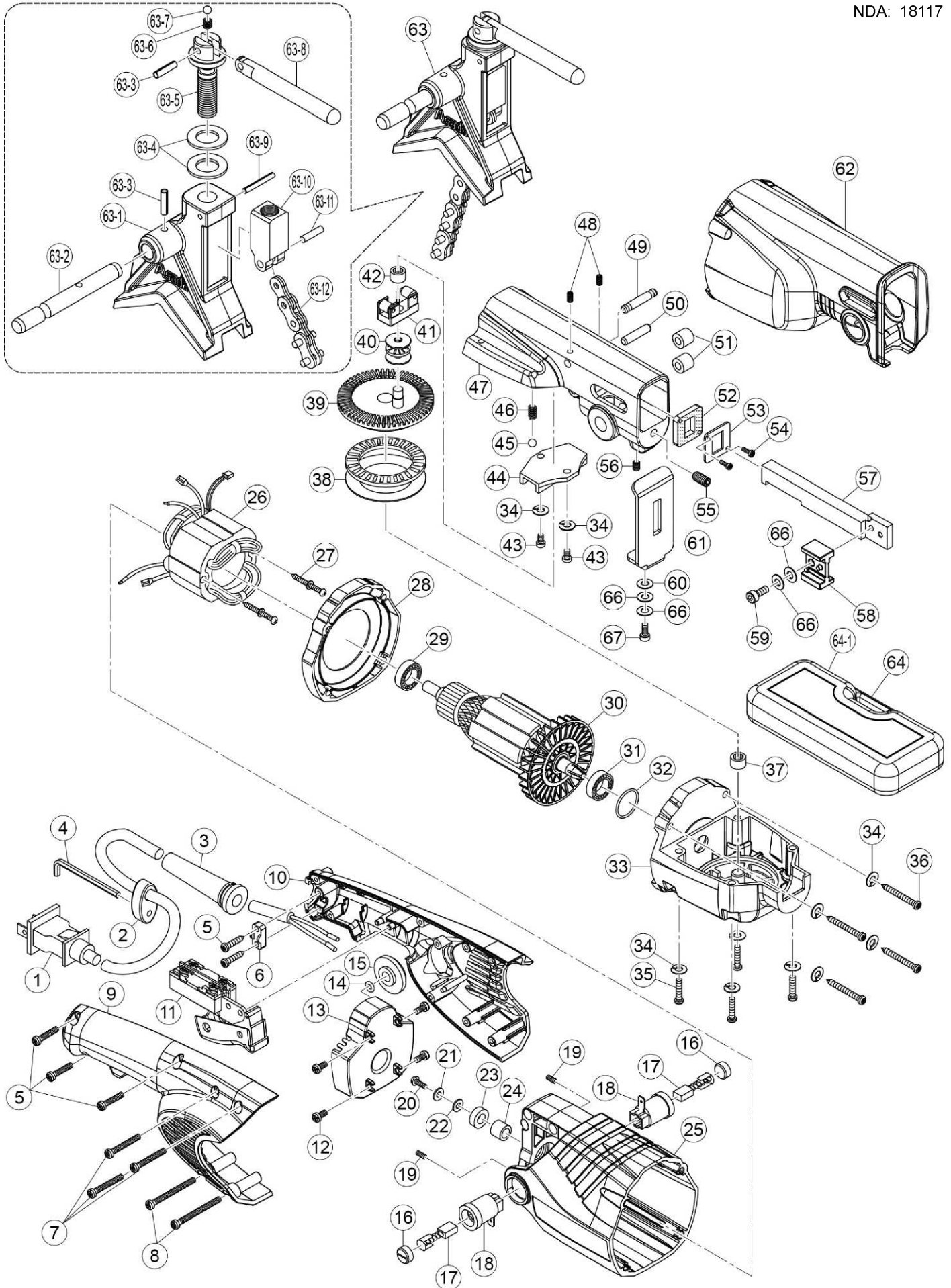


# PIPE SAW PIPE SAW 200SP

**Asada**  
**200SP**

NDA: 18117



# PIPE SAW PIPE SAW 200SP



Ref. No.	Code No.	Parts Name	Qty	Remark
1	PS401	POWER SUPPLY CORD 100-110V	1	
1	PS402	POWER SUPPLY CORD 220-240V	1	
1	PS473	POWER SUPPLY CORD SAA	1	
2	PS403	HEX KEY HOLDER	1	
3	PS404	CORD ARMOR	1	
4	86002	ALLEN WRENCH 4mm	1	
5	PS476	TAPPING SCREW M4x16	5	
6	PS405	CORD CLIP	1	
7	PS458	TAPPING SCREW M4x30	3	
8	PS459	TAPPING SCREW M4x45	2	
9	PS406	GRIP R	1	
10	PS407	GRIP L	1	
11	PS408	TRIGER SWITCH	1	
12	PS460	P200SP TAPPING SCREW M4x8	4	
14	84505	O-RING $\phi 6.5 \times 2$	1	
15	PS411	THUMB WHEEL	1	
16	PS412	BRUSH CAP	2	
17	PS413	CARBON BRUSH SET (2 pcs)	1	
18	PS414	BRUSH HOLDER	2	
19	80354	HEX SCREW 5x8	2	
20	PS461	ARMATURE FIX BOLT	1	
21	PS462	ARMATURE FIX WASHER	1	
22	PS415	PLASTIC WASHER $\phi 4$	1	
23	PS416	PICKUP MAGNET	1	
24	PS417	SPACER	1	
25	PS418	MOTOR HOUSING	1	
26	PS419	STATOR 100-110V	1	
26	PS420	STATOR 220-240V	1	
27	PS463	PS200SP STATOR FIX BOLT	2	
28	PS421	FAN BAFFLE	1	
29	PS451	BEARING ARMATURE (R)	1	
30	PS422	ARMATURE 110-110V	1	
30	PS423	ARMATURE 220-240V	1	
31	PS452	BEARING ARMATURE (F)	1	
32	84506	O-RING $\phi 28 \times 2$	1	
33	PS424	GEAR HOUSING	1	
34	PS464	SPRING WASHER M5	10	
35	PS472	SOCKET CAP SCREW M5 x 35	4	
36	PS465	TAPPING SCREW M5x40	4	
37	PS453	NEEDLE BEARING HK 1015	1	
38	PS454	THRUST BEARING MTB 40603	1	
39	PS425	BEVEL CRANK GEAR	1	
40	PS455	BEARING 0816 KENT	1	
41	PS426	GUIDE BLOCK	1	
42	PS456	NEEDLE BEARING 71410	1	
43	80157	STOP BOLT 5x12	2	
44	PS427	COUPLING TRACK	1	
45	PS428	CHECK BALL $\phi 6$	1	
46	PS429	SPRING $\phi 5.7 \times 11.5L$	1	
47	PS430	DRIVE HOUSING	1	
48	80351	STOP BOLT 4 x 4	2	
49	PS431	PARALLEL PIN $\phi 6 \times 33$	1	
50	PS432	PARALLEL PIN $\phi 6 \times 28$	1	
51	PS433	GUIDE ROLLER	2	
52	PS434	SCRAPER	1	
53	PS435	SCRAPER SUPPORT PLATE	1	
54	PS466	P200SP 皿小ねじ M3 x 10	2	

