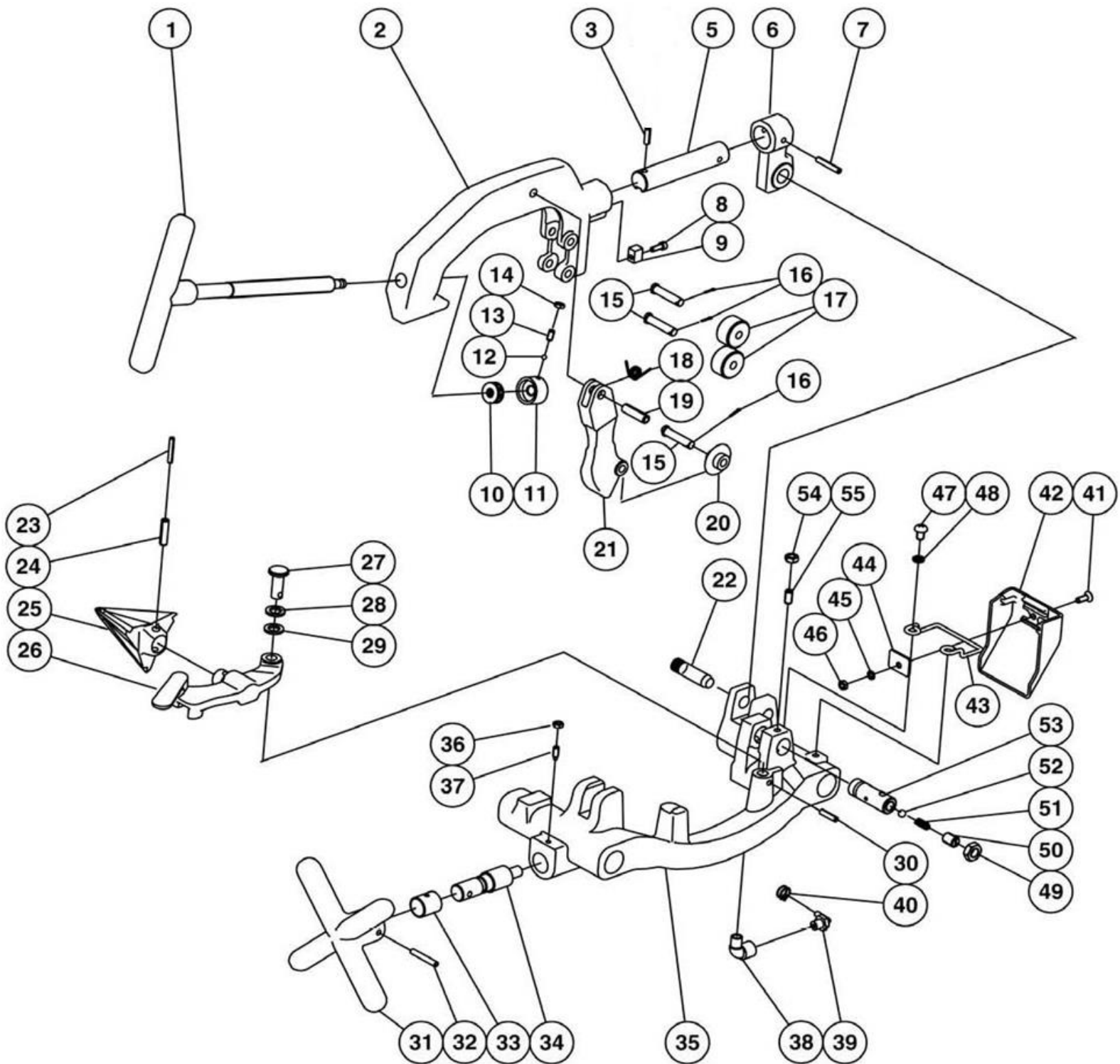


BEAVER 80

PIPE CUTTER, CARRIAGE & REAMER

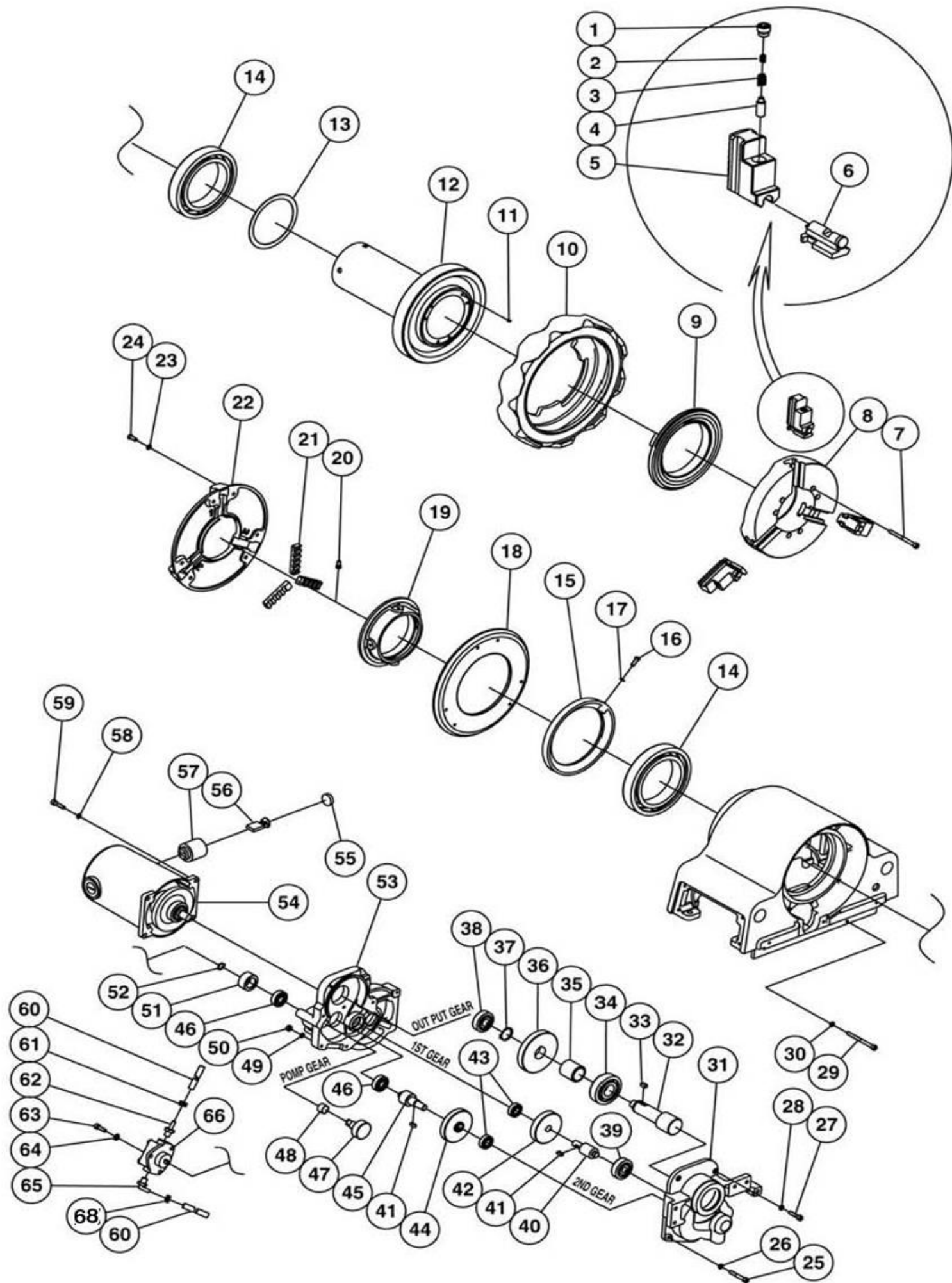


PIPE CUTTER, CARRIAGE & REAMER

No.	Code No	Parts Name	Qty	Remark	No.	Code No	Parts Name	Qty	Remark
set	BE875	BE80 Pipe Cutter Assembly (1-21)	1		52	88573	Steel Ball 5/16	1	
1	BE888	BE80 Cutter Handle Complete	1		53	59409	Die Head Set Pin	1	
2	BE876	BE80 Cutter Body	1		54	81009	Hex Nut M8	1	
3	83036	Spring Pin ϕ 6x20L	1		55	80370	Hex Socket Set Bolt M8x15L	1	
5	BE879	BE80 Cutter Guide Bar	1						
6	BE878	BE80 Cutter Bracket	1						
7	83089	Spring Pin ϕ 6x36L	1						
8	80158	Hex Socket Bolt M5x15L	1						
9	59510	Cutter Key	1						
10	84140	Thrust Bearing 51100	1						
11	29505	Feed Screw Head	1						
12	88571	Steel Ball 3/16	1						
13	80361	Hex Socket Set Bolt M6x12L	1						
14	81066	Hex Nut M6	1						
15	21511	Cutter Blade Set Pin	3						
16	83375	Sprit Pin M2 x 15	3						
17	BE884	Cutter Roller	2						
18	63503	Bracket Spring	1						
19	83098	Spring pin ϕ 10x36L	1						
20	04510	Cutter Blade NO3	1						
21	BE877	BE80 Cutter Blade Holder	1						
22	BE883	BE80 Cutter Pin	1						
set	BE885	BE80 Reamer Assembly (23-29)	1						
23	83027	Spring Pin ϕ 5x32L	1						
24	83051	Spring Pin ϕ 8x32L	1						
25	BE960	Reamer Blade	1						
26	BE955	BE80 Reamer Holder	1						
27	63604	Holder Pin	1						
28	81116	Spring Washer M12	1						
29	81221	Plain Washer S M12	1						
30	83038	Spring Pin ϕ 6x24L	1						
set	BE917	Rack Handle Complete (31-34)	1						
31	BE874	Rack Handle	1						
32	83070	Spring Pin ϕ 6x40L	1						
33	21415	Pinion Metal	1						
34	21414	Rack Pinion	1						
35	BE871	BE80 Carrige	1						
36	81066	Hex Nut M6	1						
37	80404	Hex Socket Set Bolt M6x22L	1						
38	85023	M-Elbow PT 1/4 x 1/4	1						
39	85082	Elbow WES8xPT1/4	1						
40	85612	Hose Clamp M12	1						
41	82265	Flat Head Screw M6x15L	1						
42	BE920	BE80 Splashproof Plate	1						
43	BE897	BE80 Splashproof Plate Holder	1						
44	AS378	Holder Plate	1						
45	81251	Spring Washer M6	1						
46	81066	Hex Nut M6	1						
47	82326	Pan Head Screw M8x12L	2						
48	81254	Spring Washer CM8	2						
49	81011	Hex Nut M12	1						
50	20410	Oil Adjust Screw	1						
51	22404	Oil Adjust Spring	1						

BEAVER 80

HAMMER CHUCK, SCROLL & GEARS

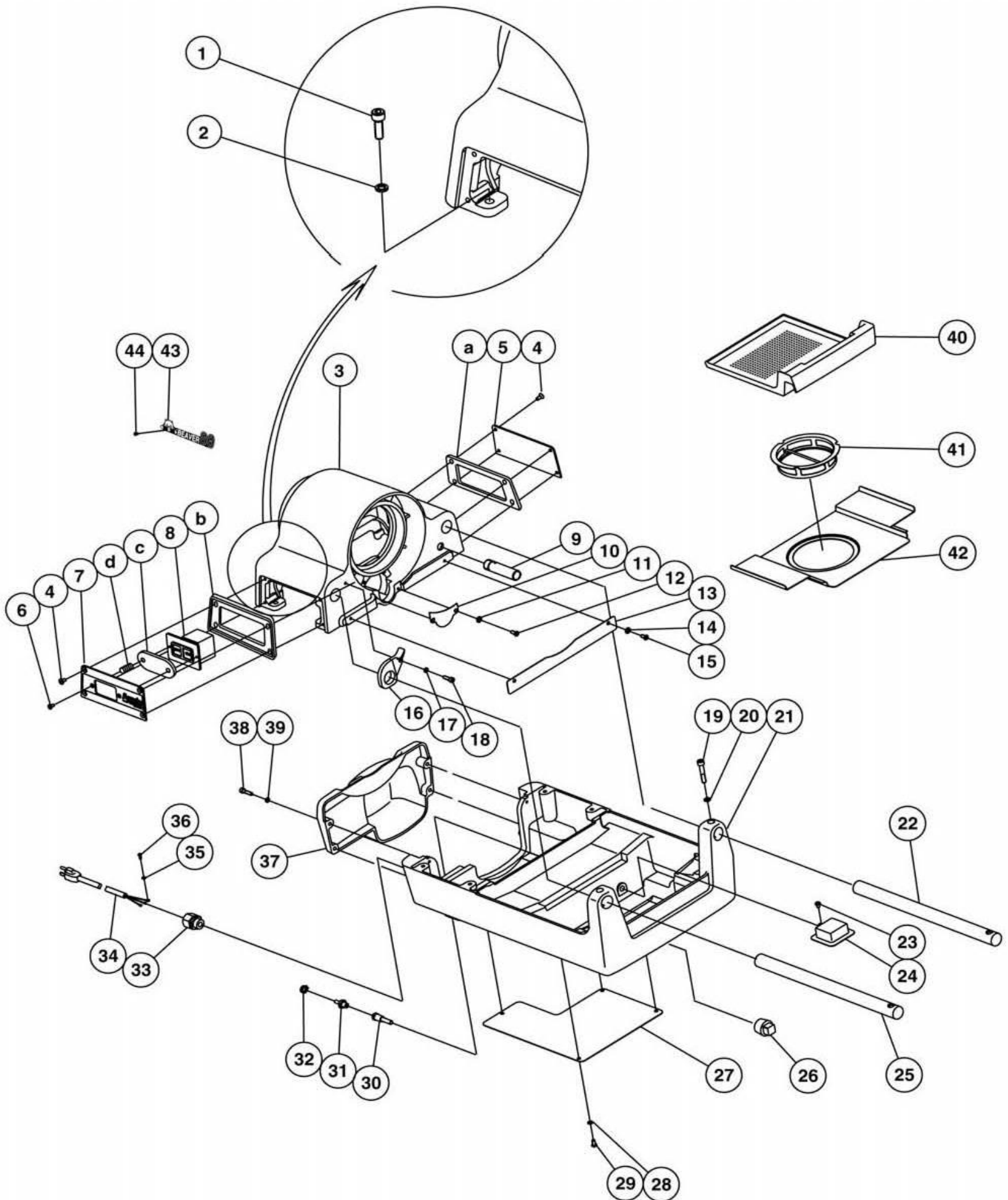


HAMMER CHUCK, SCROLL & GEARS

No.	Code No	Parts Name	Qty	Remark	No.	Code No	Parts Name	Qty	Remark
set	BE820	Hammer Chuck Complete(1-6,8-10)	1		52	83321	C Snap Ring S-12	2	
set	BE827	BE80 JAW Set Assembly (1-6)	1		53	BE846	BE80 Spindle Case Cover	1	
1	BE831	Hammer Chuck Bolt	3		54	BE864P	MOTOR TYPE-P 220-240V	1	
2	BE830	Hammer Chuck Spring B	3		54	BE908P	MOTOR TYPE-P 100-120V	1	
3	BE829	Hammer Chuck Spring A	3		*	70915	ARMATURE TYPE-P 100-120V	1	
4	BE832	BE80 Hammer Chuck Pin	3		*	70917	BE80 Armature 220V-240V	1	
5	BE821	Hammer Chuck Jaw Assembly	1		*	70914	Stator Coil 100V-120V	1	
set	BE825	Jaw Insert Set(2-4,6, 3pcs/set)	1		*	70916	Stator Coil 220V-240V	1	
6	BE826	BE50 Jaw Insert Complete	1set		55	70921	Carbon Cap	2	
7	80621	Hex Socket Bolt M6x70L	6		56	70919	Carbon Brush	1	
8	BE833	BE80 Hammer Chuck Body	1		57	70920	Carbon Holder	2	
9	BE834	BE80 Hammer Chuck Scroll	1		58	81251	Spring Washer M6	8	
10	BE967	BE80 Hammer Chuck Outer Ring	1		59	80167	Stop Bolt M6 x 25	8	
11	63234	Pre-Load Spring	6		60	85484	Oil Hose TB-8	2	
12	BE855	BE80 Spindle Gear Complete	1		61	85612	Hose Clampt M12	1	
13	AS388	Thrust Plate	1		62	85083	Connector GES8xPT1/4	1	
14	84419	Ball Bearing 6020 2RS	2		63	80165	Hex Socket Bolt M6x18L	3	
15	BE869	BE80 Scroll Ring	1		64	81251	Spring Washer M6	3	
16	82332	Pan Head Screw M6x18L	1		65	85082	Elbow WES8xPT1/4	1	
17	81251	Spring Washer M6	1		66	BE43R	Gear Pump 27AR(Trochoid pump)	1	
set	BE865	BE80 Scroll Assembly (18-24)	1		67	83466	Parallel Pin M8 x 28Lm6	1	
18	BE867	BE80 Scroll Cap	1		68	85602	TUBE CLAMP 12	1	
19	BE868	BE80 Scroll	1						
20	59310	Scroll Stop Bolt	4						
21	AS353	Scroll Jaw Set	1						
22	BE866	BE80 Scroll Body	1						
23	81251	Spring Washer M6	6						
24	82332	Pan Head Screw M6x18L	6						
set	BE958	BE80 Drive Complete (31-53)	1						
27	80167	Stop Bolt M6 x 25	6						
28	81251	Spring Washer M6	6						
29	80621	Hex Socket Bolt M6x70L	1						
30	81251	Spring Washer M6	1						
31	BE947	BE80 Case Cover Bracket	1						
32	BE948	BE80 Output Shaft Pinion	1						
33	20212	Key 6x6x13	1						
34	84426	Ball Bearing 6305ZZ	1						
35	BE950	BE80 Output Collar	1						
36	BE949	BE80 Output Shaft Reduction Gear	1						
37	83344	C Snap Ring S-25	1						
38	84423	Ball Bearing 6302ZZ	1						
39	84188	Ball Bearing 6301ZZ	1						
40	BE953	1st Shaft pinion	1						
41	20209	Key 5x5x13	2						
42	BE848	1st Shaft Reduction Gear	1						
43	84114	Ball Bearing 6001ZZ	2						
44	BE952	2nd Shaft Reduction Gear	1						
45	BE951	2nd Shaft pinion	1						
46	84116	Ball Bearing 6201ZZ	2						
47	BE853	BE80 Pump Gear	1						
48	84373	Bush LFB1512	1						
49	81251	Spring Washer M6	7						
51	BE854	BE80 Pump Collar	1						

BEAVER 80

FRAME & SPINDLE CASE



FRAME & SPINDLE CASE

No.	Code No	Parts Name	Qty	Remark	No.	Code No	Parts Name	Qty	Remark
1	80178	Hex Socket Bolt M8x25L	4						
2	81254	Spring Washer CM8	4						
3	BE956	BE80 Spindle Case	1						
4	82282	Flat Head Screw M6x10L	8						
5	BE861	BE80 Machine Plate 220V-240V	1						
5	BE909	BE80 Machine Plate 100V-120V	1						
*	BE993	BE80 Machine Plate Cover	1						
6	82299	Flat Head Screw M3X14L	2						
7	BE860	BE80 Switch Plate	1						
*	BE992	BE80 Switch Plate Cover	1						
*	BE983	Switch Cover	1						
8	87187	Switch BEH2302	1						
a	BE993	BE80 Machine Plate Cover	1						
b	BE992	BE80 Switch Plate Cover	1						
c	BE983	Switch Cover	1						
d	BE984	Switch Spacer	2						
9	BE961	Hose Protection Pipe	1						
10	BE957	BE80 Gear Cover	1						
11	81251	Spring Washer M6	2						
12	82250	Pan Head Screw M6x12L	2						
13	BE859	BE80 Oil Cover	1						
14	81251	Spring Washer M6	2						
15	82250	Pan Head Screw M6x12L	2						
16	BE925NY	BE80 Outer Ring Spacer	1						
17	81251	Spring Washer M6	1						
18	80165	Hex Socket Bolt M6x18L	1						
19	80182	Hex Socket Bolt M8x45L	2						
20	81254	Spring Washer CM8	2						
21	BE891	BE80 Frame	1						
22	BE856	BE80 Guide Bar R	1						
23	82202	Pan Head Screw M6x12L	1						
24	18331	Filter	1						
25	BE857	BE80 Guide Bar F	1						
26	84252	Plug 1"	1						
27	BE894	BE80 Frame Under Cover	1						
28	81251	Spring Washer M6	4						
29	80011	Hex Bolt M6 x 10	4						
30	BE896	Suction Pipe	1						
31	85083	Connector GES8xPT1/4	1						
32	85602	TUBE CLAMP 12	1						
33	70335	Cord Connector OA-W1611	1						
34	BE863	Power Cord 220-240V w/o plug	1						
34	BE939	Power Cord 100V-120V	1						
35	81246	Tooth Lock Washer M6	1						
36	88899	Pan Head Screw M6x8L	1						
37	BE899	BE80 Motor Cover	1						
38	80164	HEX BOLT 6 x 8	4						
39	81251	Spring Washer M6	4						
40	BE892	Chip Pan	1						
41	19717	Strainer	1						
42	BE893	BE80 Oil Tank Lid	1						
43	BE862	BE80 Beaver Plate	1						
44	82978	Flat Head Tapping Screw M2.5x8L	2						