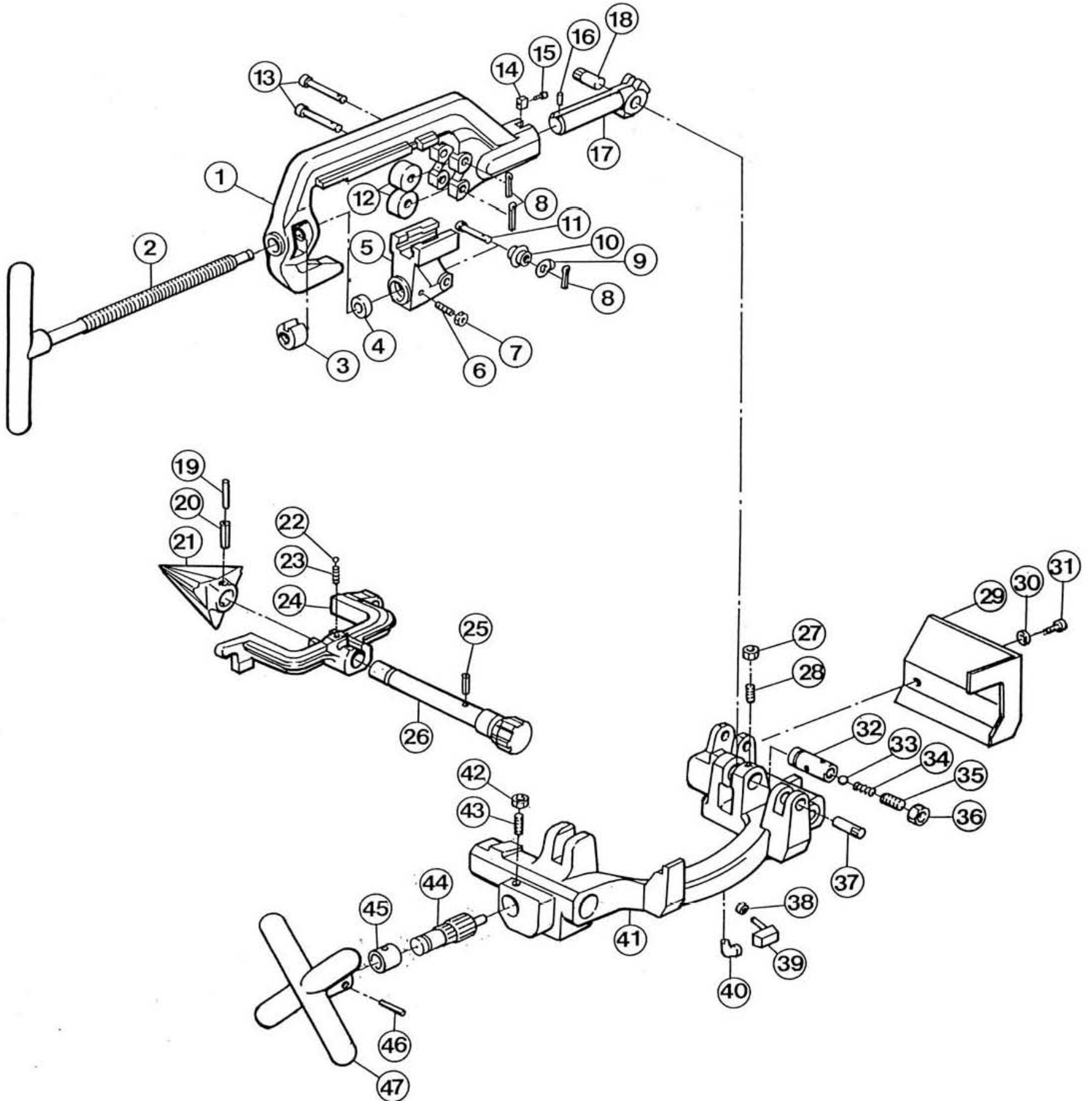


BEAVER 100

PIPE CUTTER, CARRIAGE & REAMER

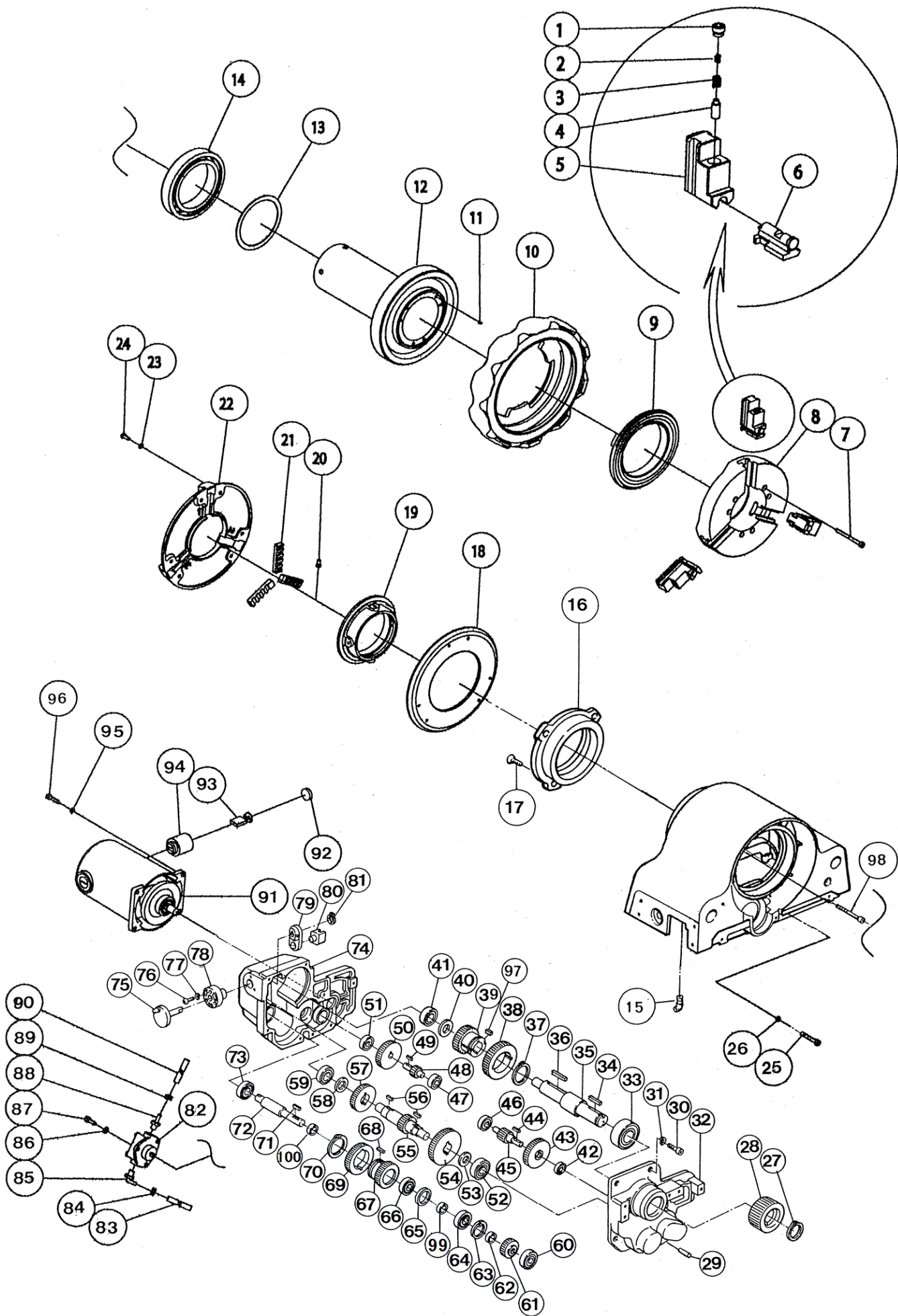


PIPE CUTTER, CARRIAGE & REAMER

No.	Code No	Parts Name	Qty	Remark	No.	Code No	Parts Name	Qty	Remark
Set	BE185	Pipe Cutter Complete (1-17)	1						
1	BE186	Cutter Body	1						
2	BE187	Cutter Handle Complete	1						
3	59509	Sleeve	1						
4	84186	Thrust Bearing 51201	1						
5	59502	Cutter Blade Holder	1						
6	80388	HEX SCREW 6x18	1						
7	81066	Hex Nut M6	1						
8	83375	Sprit Pin M2 x 15	3						
9	51508	Cutter Washer	1						
10	04510	Cutter Blade No.3	1						
11	21511	Cutter Blade Set Pin	1						
12	BE884	Cutter Roller	2						
13	21511	Cutter Blade Set Pin	2						
14	59510	Cutter Key	1						
15	80158	Hex Socket Bolt M5x15L	1						
16	83085	Spring Pin ϕ 4x25L	1						
17	59506	Cutter Bracket	1						
18	59410	Cutter Pin	1						
Set	BE195	Reamer Complete (19-26)	1						
19	83070	Spring Pin ϕ 6x40L	1						
20	83059	Spring Pin ϕ 10x40L	1						
21	BE197	Reamer Blade	1						
22	88572	Steel Ball 1/4	1						
23	01604	Reamer Spring	1						
24	BE196	Reamer Holder	1						
25	83100	Spring Pin ϕ 10x32L	1						
26	59606	Reamer Shaft Complete	1						
27	81009	Hex Nut M8	1						
28	80370	Hex Socket Set Bolt M8x15L	1						
29	59414	Splashproof Plate	1						
30	81225	Washer M6	2						
31	82200	Pan Head Screw M6x10L	2						
32	59409	Die Head Set Pin	1						
33	88573	Steel Ball 5/16	1						
34	22404	Oil Adjust Spring	1						
35	20410	Oil Adjust Screw	1						
36	81011	Hex Nut M12	1						
37	59610	Reamer Set Pin	1						
38	85612	Hose Clamp M12	1						
39	85082	Elbow WES8xPT1/4	1						
40	85023	M-Elbow PT 1/4 x 1/4	1						
41	BE181	Carriage	1						
42	81066	Hex Nut M6	1						
43	80404	Hex Socket Set Bolt M6x22L	1						
Set	BE917	Rack Handle Complete (44-47)	1						
44	21414	Rack Pinion	1						
45	21415	Pinion Metal	1						
46	83070	Spring Pin ϕ 6x40L	1						
47	BE874	Rack Handle	1						

BEAVER 100

HAMMER CHUCK, SCROLL & GEARS

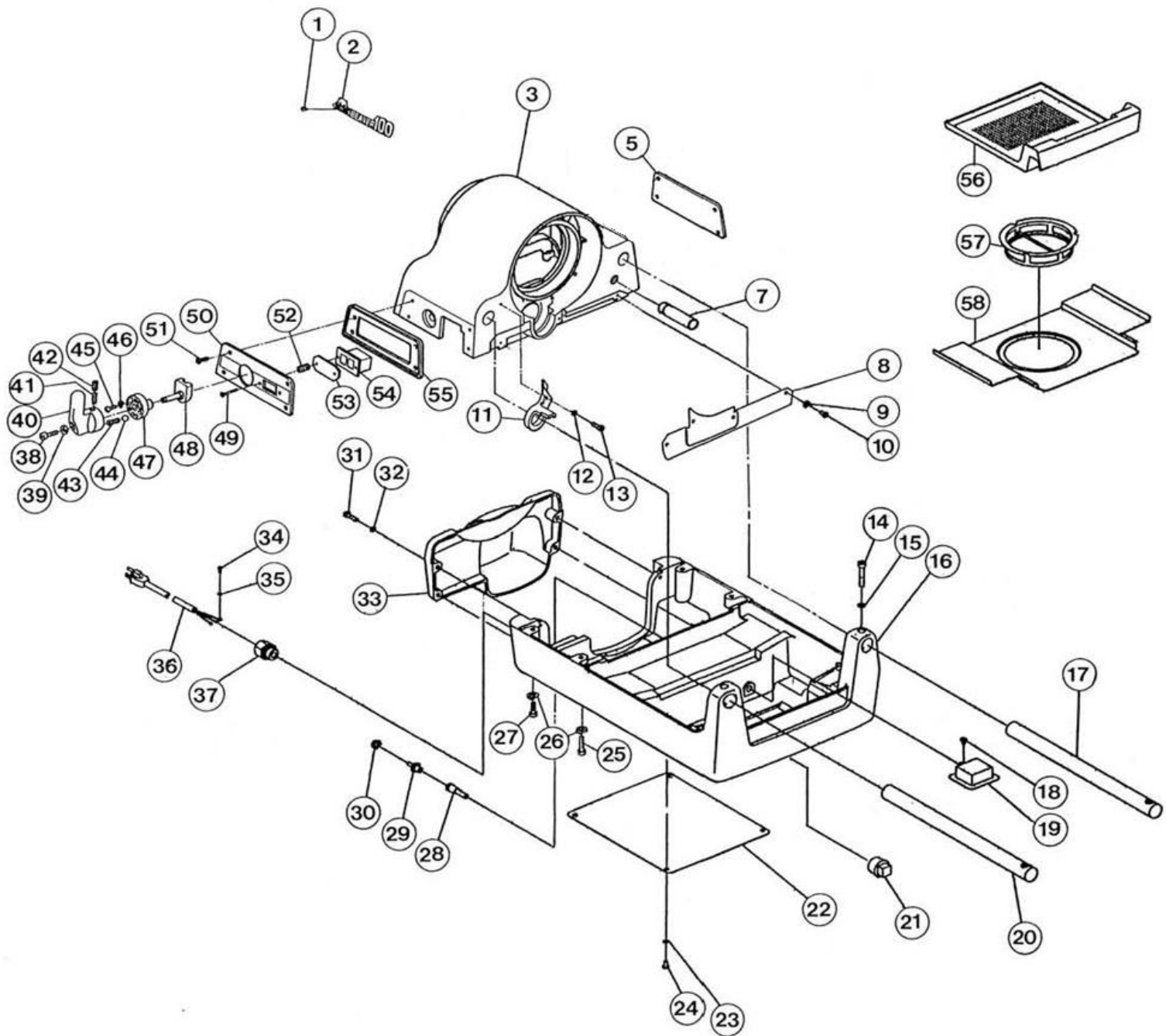


HAMMER CHUCK, SCROLL & GEARS

No.	Code No	Parts Name	Qty	Remark	No.	Code No	Parts Name	Qty	Remark
Set	BE120	Hammer Chuck Complete(1-6,8-10)	1		53	81179	Thrust washer FTRC2035 (t2)	1	
Set	BE243	BE100 JAW Set Assembly(1-6)	1		54	BE148	4th Shaft Reduction Gear	1	
1	BE831	Hammer Chuck Bolt	3		55	BE145	4th Shaft Low Speed Gear	1	
2	BE830	Hammer Chuck Spring B	3		56	20212	Key 6x6x13	4	
3	BE829	Hammer Chuck Spring A	3		57	BE146	4th Shaft High Speed Gear	1	
4	BE832	Hammer Chuck Pin	3		58	BE144	Output Shaft Spacer	2	
5	BE121	Hammer Chuck Jaw Assembly	1		59	84167	Ball Bearing 6004ZZ	1	
*	BE825	Jaw Insert Set(2-4,6, 3pcs/set)	1		60	84145	Ball Bearing 6203ZZ	1	
6	BE826	BE50 Jaw Insert Complete	1set		61	BE153	3rd Shaft Pump Gear	1	
7	80348	Hex Bolt M8x75L	6		62	BE247	3rd Shaft Spacer	1	
8	BE125	Hammer Chuck Body	1		63	83332	C Snap Ring H-35	1	
9	59125	Hammer Chuck Scroll	1		64	84437	Ball Bearing 60032RD	1	
10	59130	Hammer Chuck Outer Ring	1		65	BE154	3rd Shaft Collar	1	
11	59266	Pre-Load Spring	6		66	84437	Ball Bearing 60032RD	1	
12	BE133	Spindle Gear Complete	1		67	BE151	3rd Shaft pinion	1	
13	BE166	Thrust Plate	1		68	20209	Key 5x5x13	2	
14	84430	Ball Bearing 6028	1		69	BE152	3rd Shaft Reduction Gear	1	
15	84233	Grease Nipple JIS 67.5 PF1/8	1		70	83508	C Snap Ring S-48	1	
16	BE158	Rear Metal	1		71	20209	Key 5x5x13	1	
17	82334	Pan Head Screw M5x16L precort	4		72	BE150	3rd Shaft Set (w/ collar)	1	
Set	BE170	Scroll Complete (18-19, 21-24)	1		73	84145	Ball Bearing 6203ZZ	1	
18	BE176	Scroll Cap	1		Set	BE263	BE100 3rd Shaft Assembly	1	
19	BE177	Scroll	1		74	BE139	Gear Box Cover	1	
20	59310	Scroll Stop Bolt	4		75	BE156	Shift Shaft	1	
21	BE171	Scroll Jaws (3 pcs/set)	1		76	82334	Pan Head Screw M5x16L precort	3	
22	BE175	Scroll Body	1		77	81112	Spring Washer M5	3	
23	81251	Spring Washer M6	6		78	59272	Shift Metal	1	
24	82332	Pan Head Screw M6x18L	6		79	BE157	Shift Link	1	
25	80167	Stop Bolt M6 x 25	4		80	BE155	Shift Shoe	1	
26	81251	Spring Washer M6	5		81	83322	C Snap Ring S-16	1	
27	83309	C Snap Ring S-30	1		Set	BE137	BE100 Gear Drive Assy	1	
28	BE141	Output Shaft Pinion	1		82	BE42R	BE Gear Pump 18AR	1	
29	83466	Parallel Pin M8 x 28Lm6	1		83	85484	Oil Hose TB-8	1	
30	80167	Stop Bolt M6 x 25	6		84	85612	Hose Clamp M12	1	
31	81251	Spring Washer M6	6		85	85082	Elbow WES8xPT1/4	1	
32	BE138	Gear Box	1		86	81251	Spring Washer M6	3	
33	84429	Ball Bearing 5206ZZ	1		87	80165	Hex Socket Bolt M6x18L	3	
34	BE248	Key 6x6x40	2		88	85083	Connector GES8xPT1/4	1	
35	BE140	Output Shaft	1		89	85602	TUBE CLAMP 12	1	
36	BE249	Key 6x6x67	2		90	85484	Oil Hose TB-8	1	
37	83508	C Snap Ring S-48	1		91	BE908P	MOTOR TYPE-P 100-120V	1	
38	BE143	Output Shaft Low Speed Gear	1		91	BE864P	MOTOR TYPE-P 220-240V	1	
39	BE142	Output Shaft High Speed Gear	1		92	70921	Carbon Cap	2	
40	BE144	Output Shaft Spacer	2		93	70919	Carbon Brush	1	
41	84167	Ball Bearing 6004ZZ	1		94	70920	Carbon Holder	2	
42	84114	Ball Bearing 6001ZZ	1		95	81251	Spring Washer M6	4	
43	BE952	2nd Shaft Reduction Gear	1		96	80167	Stop Bolt M6 x 25	4	
44	20209	Key 5x5x13	1		97	20212	Key 6x6x13	2	
45	BE951	2nd Shaft pinion	1		98	80238	Hex Bolt M6x65L	1	
46	84116	Ball Bearing 6201ZZ	1		99	BE149	3rd Shaft Inner Collar	1	
47	84114	Ball Bearing 6001ZZ	1		100	BE169	BE100 3rd Shaft Bearing Collar	1	
48	BE953	1st Shaft pinion	1		*	70917	BE80 Armature 220V-240V	1	
49	20209	Key 5x5x13	1		*	70915	ARMATURE TYPE-P 100-120V	1	
50	BE848	1st Shaft Reduction Gear	1		*	70916	Stator Coil 220V-240V	1	
51	84114	Ball Bearing 6001ZZ	1		*	70914	Stator Coil 100V-120V	1	
52	84169	Ball Bearing 6204ZZ	1						

BEAVER 100

FRAME & SPINDLE CASE



FRAME & SPINDLE CASE

No.	Code No	Parts Name	Qty	Remark	No.	Code No	Parts Name	Qty	Remark
1	82978	Flat Head Tapping Screw M2.5x8	2		55	BE167	Switch Plate Cover	1	
2	BE164	Beaver Plate	1		56	BE892	Chip Pan	1	
3	BE136	Spindle Case	1		57	19717	Strainer	1	
5	BE163	Machine Plate 100-120V	1		58	BE207	Oil Tank Lid	1	
5	BE244	Machine Plate 220-240V	1						
7	BE961	Hose Protection Pipe	1						
8	BE159	Gear Cover	1						
9	81251	Spring Washer M6	4						
10	82250	Pan Head Screw M6x12L	4						
11	BE165	BE100 Outer Ring Spacer	1						
12	81251	Spring Washer M6	1						
13	80165	Hex Socket Bolt M6x18L	1						
14	80182	Hex Socket Bolt M8x45L	2						
15	81254	Spring Washer CM8	2						
16	BE206	Frame	1						
17	BE131	Guide Bar R	1						
18	82250	Pan Head Screw M6x12L	1						
19	18331	Filter	1						
20	BE132	Guide Bar F	1						
21	84252	Plug 1"	1						
22	BE208	Frame Under Cover	1						
23	81251	Spring Washer M6	4						
24	80011	Hex Bolt M6 x 10	4						
25	80183	Hex Socket Bolt M8x50L	2						
26	81254	Spring Washer CM8	4						
27	80178	Hex Socket Bolt M8x25L	2						
28	BE896	Suction Pipe	1						
29	85083	Connector GES8xPT1/4	1						
30	85602	TUBE CLAMP 12	1						
31	80166	Hex Socket Bolt M6x20L	4						
32	81251	Spring Washer M6	4						
33	BE209	Motor Cover	1						
34	88899	Pan Head Screw M6x8L	1						
35	81246	Tooth Lock Washer M6	1						
36	BE939	Power Cord(100V,Japan/Taiwan)	1						
36	BE863	Power Cord 220-240V w/o plug	1						
37	70335	Cord Connector OA-W1611	1						
38	80180	Hex Bolt M8x35L	1						
39	81254	Spring Washer CM8	1						
40	BE160	Shift Lever	1						
41	80451	Hex Set Bolt M6x12L	1						
42	80358	Hex Socket Set Bolt M6x6L	1						
43	01235	Shift Lever Spring	1						
44	88574	Steel Ball 3/8	1						
45	82334	Pan Head Screw M5x16L precort	3						
46	81112	Spring Washer M5	3						
47	59272	Shift Metal	1						
48	BE161	Shift Lever Joint	1						
49	82299	Flat Head Screw M3X14L	2						
50	BE162	Switch Plate	1						
51	82282	Flat Head Screw M6X10L	4						
52	BE984	Switch Spacer	2						
53	BE983	Switch Cover	1						
54	87187	Switch BEH2302	1						