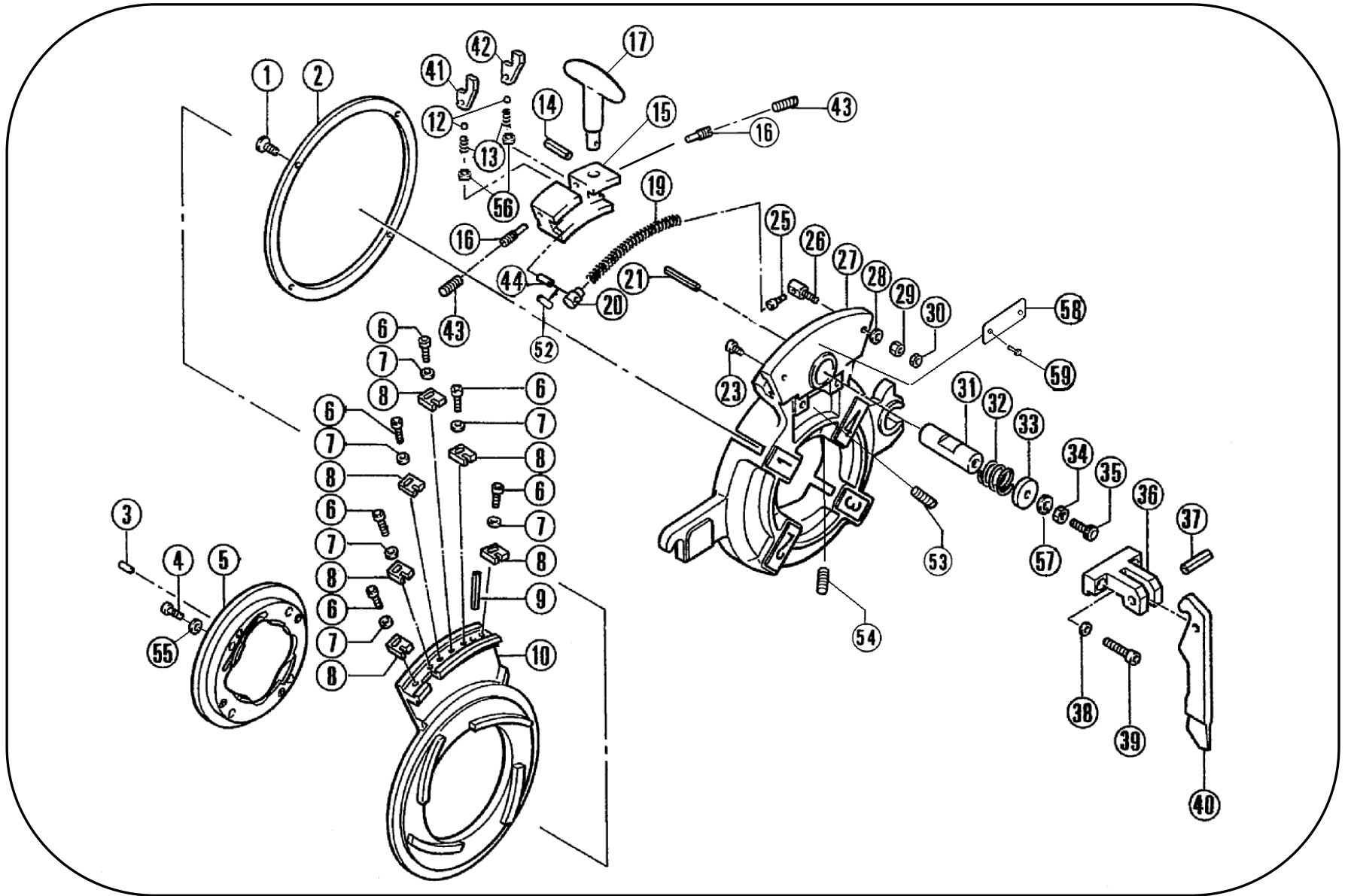


Die-Head

BEAVER DIE-HEAD 1/2-2" AT (BSPT 52100 / NPT 52500)

NDA:18108



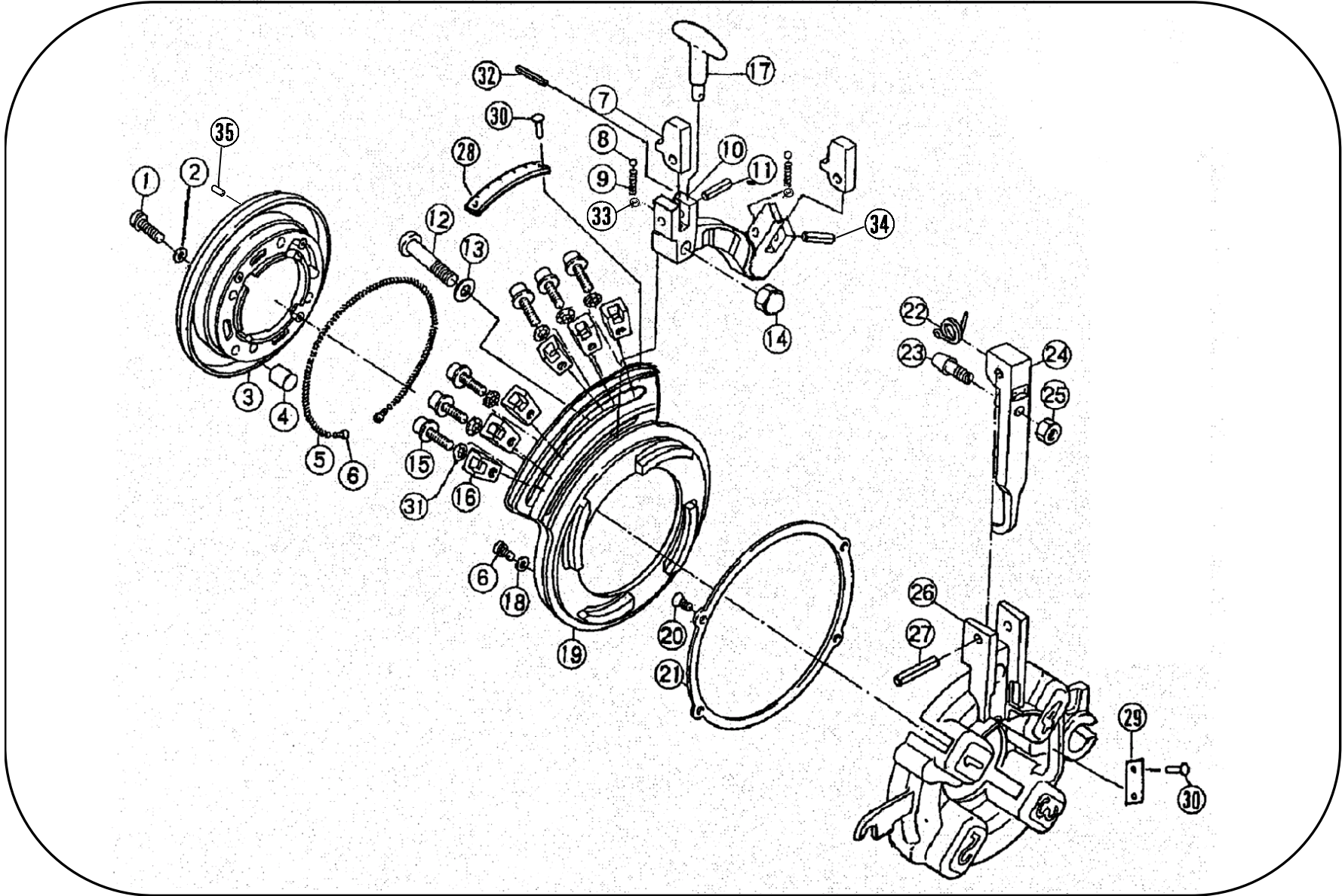
No.	Parts Name	Qty	Code No	Remarks
1	Flat Head Screws M6x15L	4	82265	
2	AT Ring Plate 1/2-2"	1	52104	
3	Ball Cap 7.5mm	4	88598	
4	Hex Socket Bolt M6x20L	4	80166	
5	BE Retaining Ring 1/2-2"	1	BE012	(52103)
6	Hex Socket Bolt With Flange M6x18L	6	82960	
7	Conical Spring Washer M6-1H	6	81230	
8	AT Location Block 1/2	1	52160	
8	AT Location Block 3/4	1	52161	
8	AT Location Block 1	1	52162	
8	AT Location Block 1.1/4	1	52163	
8	AT Location Block 1.1/2	1	52164	
8	AT Location Block 2	1	52165	
9	Spring Pin ϕ 8x35L	1	83052	
10	BE Cam Plate 1/2-2"	1	BE011	(52146)
11	LOCATION PLATE (A) 1/2-2"	1	52107	
12	Steel Ball 3/16	2	88571	
13	AT Location Spring	2	52111	
14	Spring Pin ϕ 4x18L	1	83014	
15	BE Profile Unit 1/2-2"	1	BE028	(52184)
16	AT Pin	1	52176	
17	BE T Handle	1	BE020	
18	LOCATION PLATE (B)	1	52108	
19	AT Opening Spring	1	52137	
20	AT Receiving In Spring	1	52109	
21	Spring Pin ϕ 6x25L	1	83039	
23	Hex Socket Bolt M6x6L	1	80229	
25	Hex Socket Bolt M5x8L	1	80156	

No.	Parts Name	Qty	Code No	Remarks
26	AT Stopper	1	52151	
27	BE Die Head Body 1/2-2"	1	BE010	
28	Plain Washer M6	1	81225	
29	Hex Nut M6 ①	1	81062	
30	Hex Nut M6 ③	1	81066	
31	AT Profile Pin 1/2-2	1	52185	
32	AT Return Spring A	1	52159	
33	AT Spring Cap	1	52154	
34	Small Hex Nut M8 ③	1	81079	
35	AT Adjust Bolt 1/2-4	1	52114	
36	BE Lever Support 1/2-2"	1	BE026	(52183)
37	Spring Pin ϕ 8x30L	1	83050	
38	Spring Washer CM6	2	81251	
39	Hex Socket Bolt M6x25L	2	80167	
40	BE Locking Lever 1/2-2	1	BE023	
41	LOCATION PLATE (A) 1/2-2"	1	52107	
42	LOCATION PLATE (B)	1	52108	
43	Hex Socket Set Bolt M6x6L	2	80358	
44	Spring Pin ϕ 6x18L	1	83035	
52	Spring Pin ϕ 3.5x12L	1	83067	
53	Hex Socket Set Bolt M6x6L	1	80358	
54	Hex Socket Set Bolt M6x15L	1	80362	
55	Spring Washer CM6	4	81251	
56	Spring Washer M2	2	81194	
57	Plain Washer M8	1	81151	
58	BE DH ASADA Plate	1	BE024	
59	Plate Tack No4x4.8L	2	83355	

Die-Head

BEAVER DIE-HEAD BSPT 1/2-2" (BE001) / BEAVER DIE-HEAD NPT 1/2-2"(BE01N)

NDA:18108



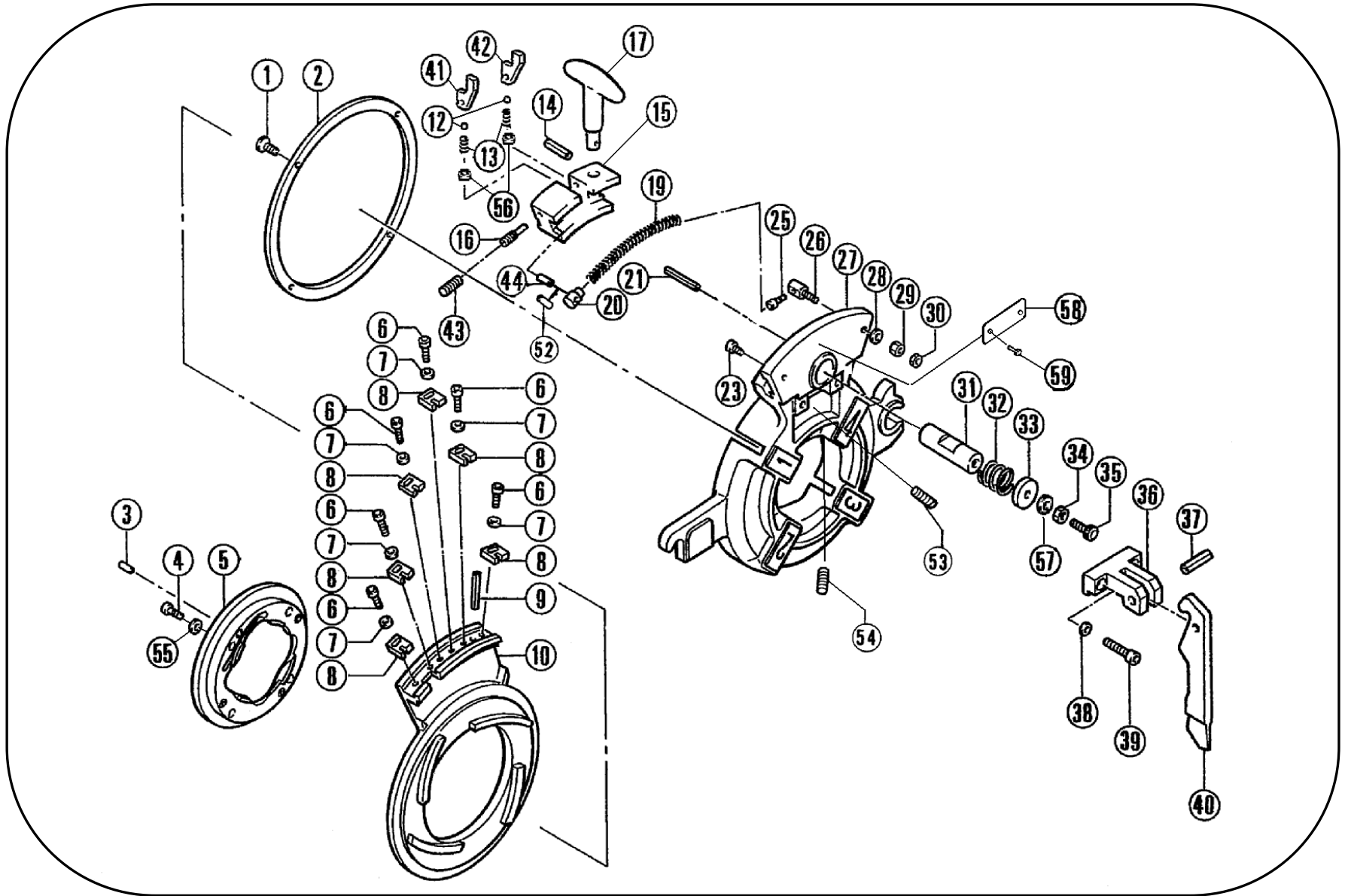
No.	Parts Name	Qty	Code No	Remarks
1	Hex Socket Bolt M6x25L	4	80167	
2	Spring Washer CM6	4	81251	
3	BE Retaining Ring 1/2-2 S	1	BE071	
4	Parallel Pin ϕ 12x10Lm6	1	83467	
5	BE Opening Spring 1/2-2	1	BE013	
6	Hex Socket Bolt M5x10L	3	80201	
7	BE Location Plate 1/2-2	2	BE019	
8	Steel Ball 3/16	2	88571	
9	Location Spring	2	52111	
10	BE Set Block 1/2-2 S	1	BE073	
11	Spring Pin ϕ 6x20L	1	83036	
12	Hex Socket Button Bolt M10x45L	1	82330	
13	Plain Washer M10 Blackening	1	81149	
14	Small Hex Nut M10	1	81095	
15	Hex Socket Head Bolt M8x18L	6	80176	
16	BE Location Block	6	BE077	OLD: BE017
17	BE T Handle	1	BE020	
*	Spring Pin ϕ 4x32L	1	83017	
18	Spring Washer M5	1	81112	

No.	Parts Name	Qty	Code No	Remarks
19	BE Cam Plate 1/2-2 S	1	BE070	
20	Flat Head Screws M6x15L	4	82265	
21	AT Ring Plate 1/2-2	1	52104	
22	BE Lever Spring 1/2-2	1	BE015	
23	BE Set Pin 1/2-2	1	BE016	
24	BE Locking lever 1/2-2 S	1	BE072	
25	Hex Nut M10	1	81021	
26	BE Die Head Body 1/2-2 S	1	BE069	
27	Spring Pin ϕ 8x32L	1	83051	
28	BE Scale Plate BSPT 1/2-2 S	1	BE074	BSPT
28'	BE Scale Plate NPT 1/2-2 S	1	BE075	NPT
29	BE DH ASADA Plate	1	BE024	
30	Plate Tack No4 x 6.4L	5	83353	
31	Conical Spring Washer M8-2H	6	81264	
32	Spring Pin ϕ 4x16L	1	83013	
33	Spring Washer M2	2	81194	
34	Spring Pin ϕ 6x16L	1	83034	
35	Ball Cup 7.5mm	4	88598	

Die-Head

BEAVER DIE-HEAD 2.1/2-3" (BSPT 52200 / NPT 52600)

NDA:18108

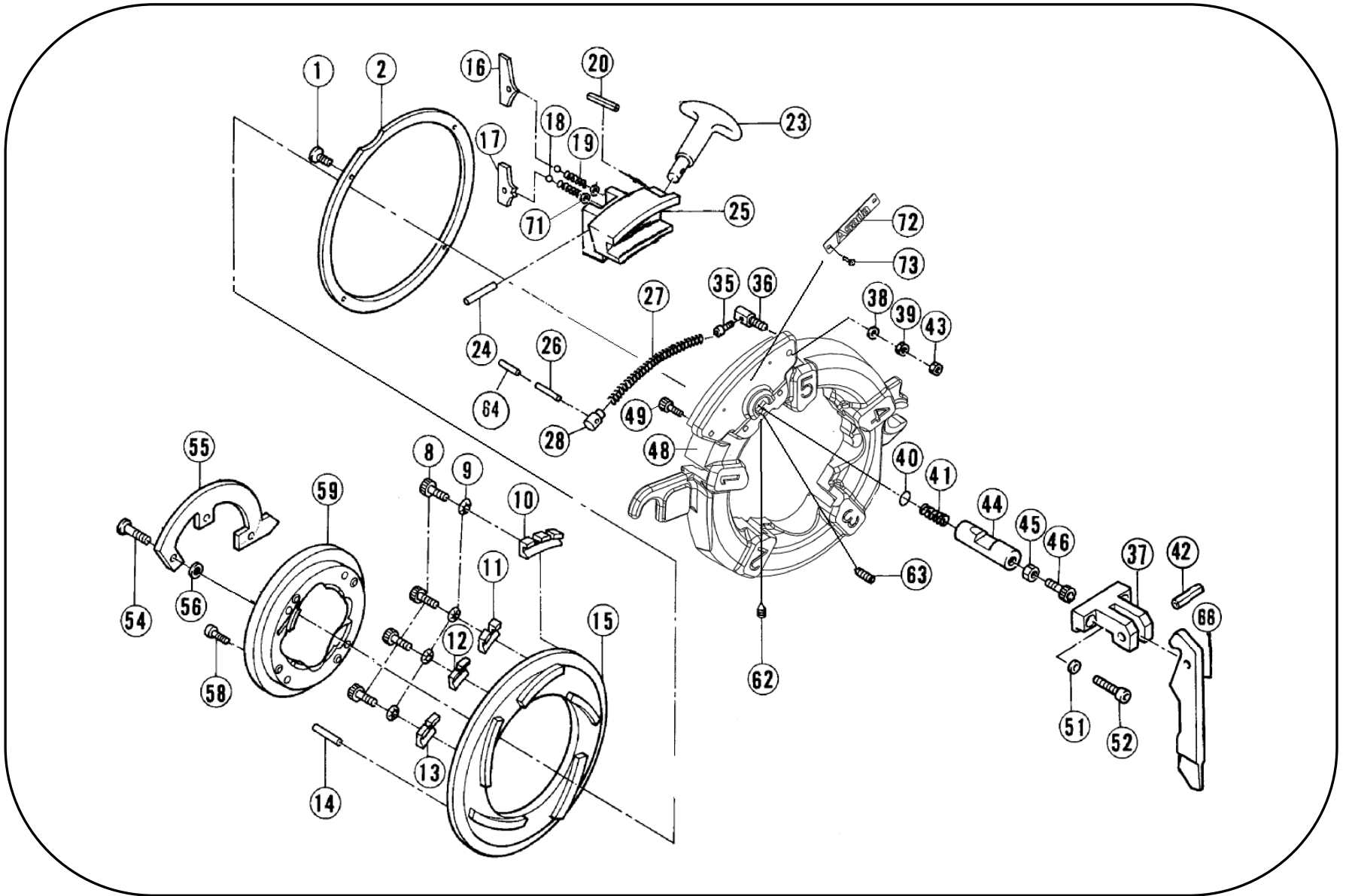


No.	Parts Name	Qty	Code No	Remarks
1	Flat Head Screws M6x15L	4	82265	
2	AT Ring Plate 2 1/2-3	1	52204	
3	Ball Cap 7.5mm	4	88598	
4	Hex Socket Bolt M6x20L	4	80166	
5	BE Retaining Ring 2.1/2-3	1	BE032	
6	Hex Socket Bolt With Flange M6x18L	3	82960	
7	Conical Spring Washer M6-1H	3	81230	
8	AT Location Block 2.1/2	1	52225	
8	AT Location Block 3	1	52226	
9	Spring Pin ϕ 8x35L	1	83052	
10	BE Cam Plate BSPT2.1/2-3	1	BE031	BSPT
10'	BE Cam Plate NPT2.1/2-3	1	BE080	NPT
12	Steel Ball 3/16	2	88571	
13	AT Location Spring	2	52111	
14	Spring Pin ϕ 4x18L	1	83014	
15	BE Profile Unit 2.1/2-3	1	BE036	
16	AT Pin	1	52176	
17	BE T Handle	1	BE020	
19	AT Opening Spring	1	52137	
20	AT Receiving In Spring	1	52109	
21	Spring Pin ϕ 6x25L	1	83039	
23	Hex Socket Bolt M6x6L	1	80229	
25	Hex Socket Bolt M5x8L	1	80156	
26	AT Stopper	1	52151	
27	BE Die Head Body 2.1/2-3	1	BE030	

No.	Parts Name	Qty	Code No	Remarks
28	Plain Washer M6	1	81225	
29	Hex Nut M6 ①	1	81062	
30	Hex Nut M6 ③	1	81066	
31	AT Profile Pin 2.1/2-3	1	52229	
32	AT Return Spring A	1	52159	
33	AT Spring Cap	1	52154	
34	Small Hex Nut M 8 ③	1	81079	
35	AT Adjust Bolt 1/2-4	1	52114	
36	BE Lever Support 2.1/2-3	1	BE034	
37	Spring Pin ϕ 8x30L	1	83050	
38	Spring Washer CM6	2	81251	
39	Hex Socket Bolt M6x25L	2	80167	
40	BE Locking Lever 2.1/2-3	1	BE033	
41	AT Two Step Cutting Plate(B)	1	52213	
42	AT Location Plate (C)	1	52212	
43	Hex Socket Set Bolt M6x6L	1	80358	
44	Spring Pin ϕ 6x18L	1	83035	
52	Spring Pin ϕ 3.5x12L	1	83067	
53	Hex Socket Set Bolt M6x6L	1	80358	
54	Hex Socket Set Bolt M6x20L	1	80455	
55	Spring Washer CM6	4	81251	
56	Spring Washer M2	2	81194	
57	Plain Washer M8	1	81151	
58	BE DH ASADA Plate	1	BE024	
59	Plate Tack No4x4.8L	2	83355	

Die-Head

BEAVER DIE-HEAD 2.1/2-4" AT BSPT (64200) / NPT (64350)



No.	Parts Name	Qty	Code No	Remarks
1	Flat Head Screws M6x15L	4	82265	
2	AT Ring Plate 2.1/2-4"	1	52303	
4	Ball Cap 7.5mm	5	88598	
8	Hex Socket Bolt with Flange M6x15L	4	82961	
9	Conical Spring Washer M6-1H	4	81230	
10	AT Location Block 4"	1	64229	
11	AT Location Block 3.1/2"	1	64228	
12	AT Location Block 3"	1	64227	
13	AT Location Block 2.1/2"	1	64226	
14	Spring Pin ϕ 5x12L	1	83102	
15	AT Cam Plate BSPT 2.1/2-4	1	64202	BSPT
15'	AT Cam Plate NPT 2.1/2-4	1	64351	NPT
16	AT Location Plate 2.1/2-4"	1	64230	
17	AT Two Step Cutting Plate 2.1/2-4"	1	64231	
18	Steel Ball 3/16	2	88571	
19	AT Location Spring	2	52111	
20	Spring Pin ϕ 4x20L	1	83015	
23	BE T Handle	1	BE020	
24	Spring Pin ϕ 5x30L	1	83026	
25	AT Profile Unit 2.1/2-4"	1	64363	
26	Spring Pin ϕ 6x32L	1	83043	
27	AT Opening Spring	1	52137	
28	AT Spring Stopper	1	52109	
35	Hex Socket Bolt M5x8L	1	80156	
36	AT Stopper	1	52151	
37	BE Lever Support 2.1/2-4"	1	BE048	
38	Plain Washer M6	1	81225	
39	Hex Nut M6	1	81062	

No.	Parts Name	Qty	Code No	Remarks
40	AT Receiving Plate 2.1/2-4"	1	64234	
41	AT Return Spring 2.1/2-4"	1	64223	
42	Spring Pin ϕ 8x30L	1	83050	
43	Hex Nut M6	1	81066	
44	AT Profile Pin 2.1/2-4"	1	64364	
45	Hex Nut M8	1	81079	
46	AT Adjust Bolt	1	52114	
48	BE Die-Head Body 2.1/2-4"	1	BE040	
49	Hex Socket Bolt M6x6L	1	80229	
51	Spring Washer CM6	2	81251	
52	Hex Socket Bolt M6x25L	2	80167	
54	Hex Socket Bolt M6x30L	3	80168	
55	BE Retaining Ring Cover	1	BE043	
56	Spring Washer CM6	5	81251	
58	Hex Socket Bolt M6x25L	2	80167	
59	BE Retaining Ring 2.1/2-4"	1	BE042	
62	Hex Socket Set Bolt M6x12L	1	80361	
63	Hex Socket Set Bolt M6x6L	1	80358	
64	Spring Pin ϕ 3.5x30L	1	83072	
66	BE Locking Lever 2.1/2-4"	1	BE046	
71	Spring Washer M2	2	81194	
72	BE DH ASADA Plate	1	BE024	
73	Plate Tack	2	83355	
SET	AT Profile Unit Complete 2.1/2-4" (16-20, 23-26, 28, 64, 71)	1	64367	
SET	BE Lever Support Complete 2.1/2-4" (37, 42, 51, 52, 66)	1	BE049	